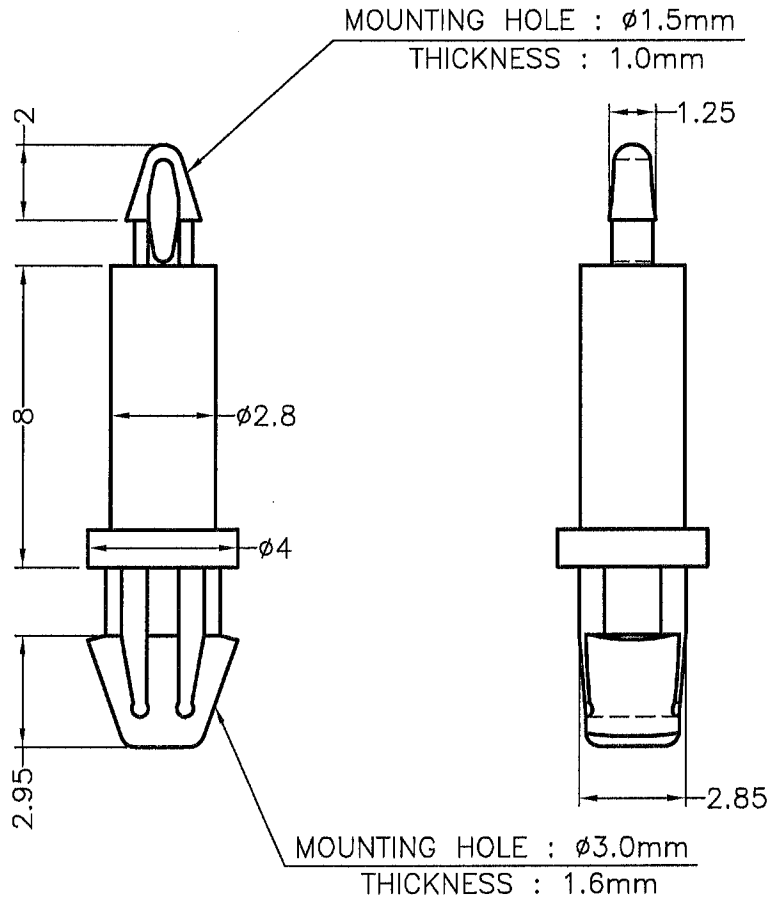

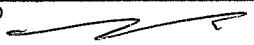


| DIM.      | TOL  |
|-----------|------|
| L≤10      | ±0.2 |
| 10<L≤30   | ±0.3 |
| 30<L≤50   | ±0.5 |
| 50<L≤100  | ±0.7 |
| 100<L≤250 | ±1.2 |
| ABOVE 250 | ±1.5 |

| REVISIONS |             |      |    |
|-----------|-------------|------|----|
| REV       | DESCRIPTION | DATE | BY |
|           |             |      |    |
|           |             |      |    |



|                                                                                                                                                                                                                                                                                    |                |                                      |     |                                                                                       |            |
|------------------------------------------------------------------------------------------------------------------------------------------------------------------------------------------------------------------------------------------------------------------------------------|----------------|--------------------------------------|-----|---------------------------------------------------------------------------------------|------------|
|  <p>康揚企業股份有限公司<br/>KANG YANG HARDWARE ENTERPRISE CO., LTD.<br/>康揚塑膠(東莞)有限公司<br/>KANG YANG PLASTIC(DONG GUAN )CO.,LTD.<br/>康哲電腦配件(吳江)有限公司<br/>KANG CHE COMPUTER COMPONENTS(WUJIANG) CO.,LTD.</p> |                |                                      |     | TITLE                                                                                 | SPEC. DWG. |
|                                                                                                                                                                                                                                                                                    |                |                                      |     | MATERIAL                                                                              | DATE       |
|                                                                                                                                                                                                                                                                                    |                |                                      |     | FINISH                                                                                | DRAWN      |
|                                                                                                                                                                                                                                                                                    |                |                                      |     | COLOR                                                                                 | CHECK      |
| PART NUMBER                                                                                                                                                                                                                                                                        | DRAWING NUMBER | UNLESS OTHERWISE SPECIFIED TOLERANCE |     | APPROVED                                                                              |            |
| LCMB-8                                                                                                                                                                                                                                                                             | LCMB-8         | SEE ABOVE                            |     |  |            |
| SIZE                                                                                                                                                                                                                                                                               | SCALE          | UNIT                                 | REV |                                                                                       |            |
| A4                                                                                                                                                                                                                                                                                 | 5:1            | mm                                   | A   |                                                                                       |            |