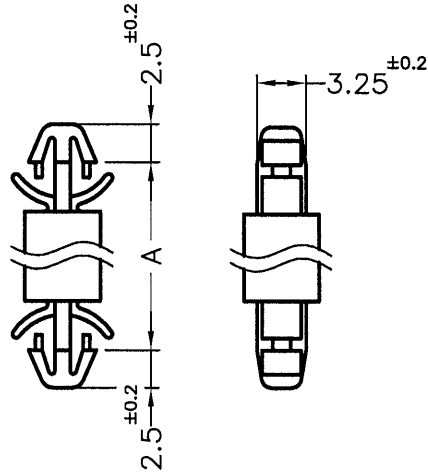


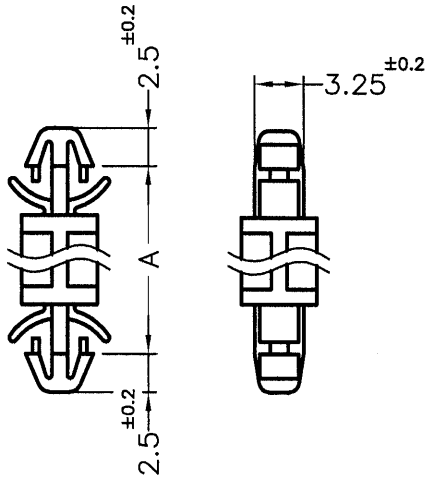
DIM.	TOL.
5mm DOWN.	±0.2
5~20mm	±0.3
20~40mm	±0.4
40~60mm	±0.5
60~100mm	±0.8
100mm UP.	±1.0

MOUNTING HOLE  $\phi 3.5$   
THICKNESS 1.6~2.0mm



MOUNTING HOLE  $\phi 3.5$   
THICKNESS 1.6~2.0mm

MOUNTING HOLE  $\phi 3.5$   
THICKNESS 1.6~2.0mm




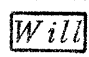
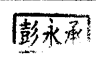

MOUNTING HOLE  $\phi 3.5$   
THICKNESS 1.6~2.0mm

REVISIONS			
REV	DESCRIPTION	DATE	BY

PART NO.	A	COLOR
LCO-5	8.2	NATURAL
LCO-6.4	9.6	
LCO-8	11.2	
LCO-8(B)		BLACK

PART NO.	A	COLOR
LCO-10	13.2	NATURAL
LCO-11	14.2	
LCO-12.7	15.9	
LCO-15.9	19.1	

NOTE:MADE OF EQUIVALENT MATERIAL.  
均可使用同等材質.

 <p>康揚企業股份有限公司 KANG YANG HARDWARE ENTERPRISE CO., LTD. 康揚塑膠(東莞)有限公司 KANG YANG PLASTIC(DONG GUAN) CO., LTD. 康哲電腦配件(吳江)有限公司 KANG CHE COMPUTER COMPONENTS(WUJIANG) CO., LTD.</p>				TITLE	SPACER SUPPORT	SPEC. DWG.	
				MATERIAL	NYLON 66 UL94V-2	DATE	2007.07.19
				FINISH		DRAWN	Lung
				COLOR	SEE ABOVE	CHECK	 
PART NUMBER	SEE ABOVE	DRAWING NUMBER	LCO-H	UNLESS OTHERWISE SPECIFIED TOLERANCE	SEE ABOVE	APPROVED	
SIZE	A4	SCALE	4:1	UNIT	mm	REV	C