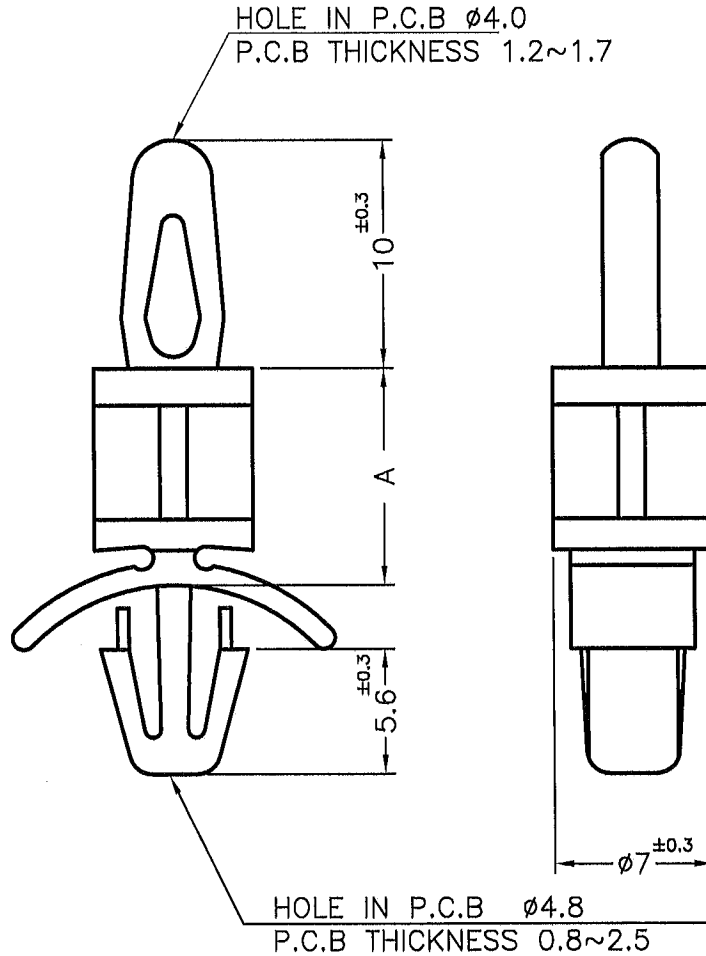





REVISIONS			
REV	DESCRIPTION	DATE	BY



PART NO.	A
LCP-7.9	7.9 ^{±0.3}
LCP-9	9.5 ^{±0.3}
LCP-12.7	12.7 ^{±0.3}
LCP-22	22.2 ^{±0.4}

NOTE:MADE OF EQUIVALENT MATERIAL.
可使用同等材質

 <p>康揚企業股份有限公司 KANG YANG HARDWARE ENTERPRISE CO., LTD. 康揚塑膠(東莞)有限公司 KANG YANG PLASTIC(DONG GUAN) CO., LTD. 康哲電腦配件(吳江)有限公司 KANG CHE COMPUTER COMPONENTS(WUJIANG) CO., LTD.</p>	TITLE SPACER SUPPORT		SPEC. DWG.	
	MATERIAL NYLON 66 UL94V-2		DATE 2004.07.26	
	FINISH		DRAWN S.J.C.	
	COLOR NATURAL		CHECK 	
PART NUMBER SEE ABOVE	DRAWING NUMBER LCP-H		APPROVED 	
SIZE A4	SCALE NONE	UNIT mm	REV C	TOLERANCE SEE ABOVE