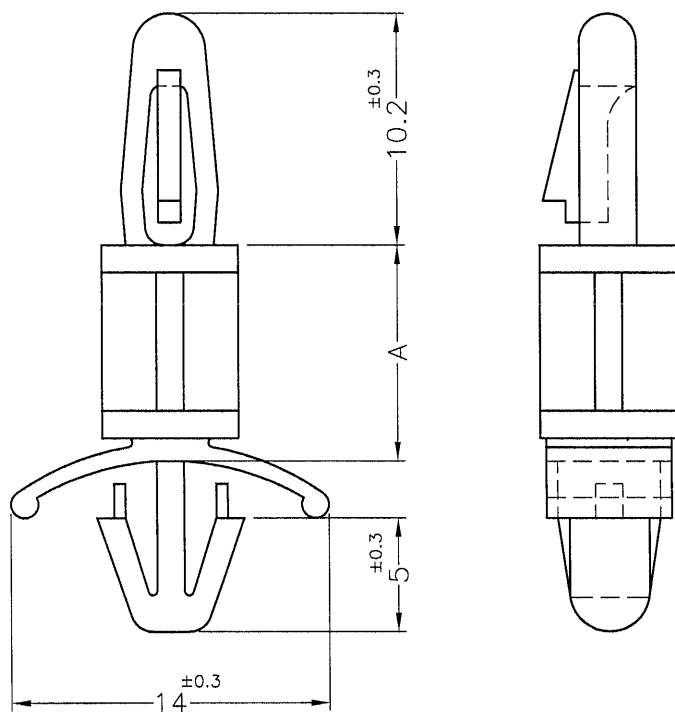


DIM.	TOL
5mm DOWN	±0.2
5~20mm	±0.3
20~40mm	±0.4
40~60mm	±0.5
60~100mm	±0.8
100mm UP	±1.0

REVISIONS			
REV	DESCRIPTION	DATE	BY



HOLE IN P.C.B:  $\phi 4.0\text{mm}$   
P.C.B THICKNESS: 1.2~1.7mm



HOLE IN CHASSIS:  $\phi 4.8\sim\phi 5.0\text{mm}$   
CHASSIS THICKNESS: 0.8~2.0mm

PART NO.	A
LCS-3	3.5
LCS-5	4.8
LCS-6	6.0
LCS-6A	6.4
LCS-8	7.9
LCS-9	9.5
LCS-11	11.1
LCS-12	12.7
LCS-16	15.9
LCS-19	19.1
LCS-22	22.2
LCS-24	24.0
LCS-25	25.4
LCS-27.5	27.5
LCS-28	28.6
LCS-31.1	31.1
LCS-31.7	31.7
LCS-35	34.9

- NOTE: 1. SHRINKING IS NORMAL STATUS.  
內縮為正常現象。  
2. MADE OF EQUIVALENT MATERIAL.  
均可使用同等材質。

 <p>康揚企業股份有限公司 KANG YANG HARDWARE ENTERPRISE CO., LTD. 康揚塑膠(東莞)有限公司 KANG YANG PLASTIC(DONG GUAN) CO., LTD. 康哲電腦配件(吳江)有限公司 KANG CHE COMPUTER COMPONENTS(WUJIANG) CO., LTD.</p>		TITLE	SPACER SUPPORT	SPEC. DWG.	
		MATERIAL	NYLON 66 UL94V-2	DATE	2000.03.15
		FINISH		DRAWN	JASON
		COLOR	NATURAL	CHECK	
PART NUMBER	SEE ABOVE	DRAWING NUMBER	LCS-H	UNLESS OTHERWISE SPECIFIED TOLERANCE	SEE ABOVE
SIZE	A4	SCALE	NONE	UNIT	mm
REV	A	APPROVED	