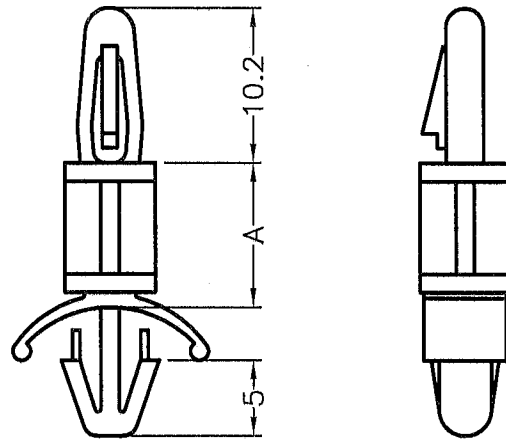


DIM.	TOL
5mm DOWN	±0.2
5~20mm	±0.3
20~40mm	±0.4
40~60mm	±0.5
60~100mm	±0.8
100mm UP	±1.0

REVISIONS			
REV	DESCRIPTION	DATE	BY



HOLE IN P.C.B  $\phi 4$   
P.C.B THICKNESS 1.6



HOLE IN CHASSIS  $\phi 4.8$   
CHASSIS THICKNESS 2.0~3.2

PART NO.	A
LCSD-4.8	4.8
LCSD-9.5	9.5
LCSD-12.7	12.7

NOTE:MADE OF EQUIVALENT MATERIAL.  
均可使用同等材質。

 康揚企業股份有限公司 KANG YANG HARDWARE ENTERPRISE CO., LTD. 康揚塑膠(東莞)有限公司 KANG YANG PLASTIC(DONG GUAN) CO.,LTD. ISO 9001 ISO 14001 QC 080000 康哲電腦配件(吳江)有限公司 KANG CHE COMPUTER COMPONENTS(WUJIANG) CO.,LTD.				TITLE	SPACER SUPPORT	SPEC. DWG.
				MATERIAL	NYLON 66 UL94V-2	DATE
PART NUMBER		DRAWING NUMBER	HARDNESS	DRAWN	JOHNNY	
SEE ABOVE		LCSD-H	COLOR	CHECK		
SIZE	SCALE	UNIT	REV	UNLESS OTHERWISE SPECIFIED TOLERANCE	APPROVED	
A4	3:1	mm	D	SEE ABOVE	