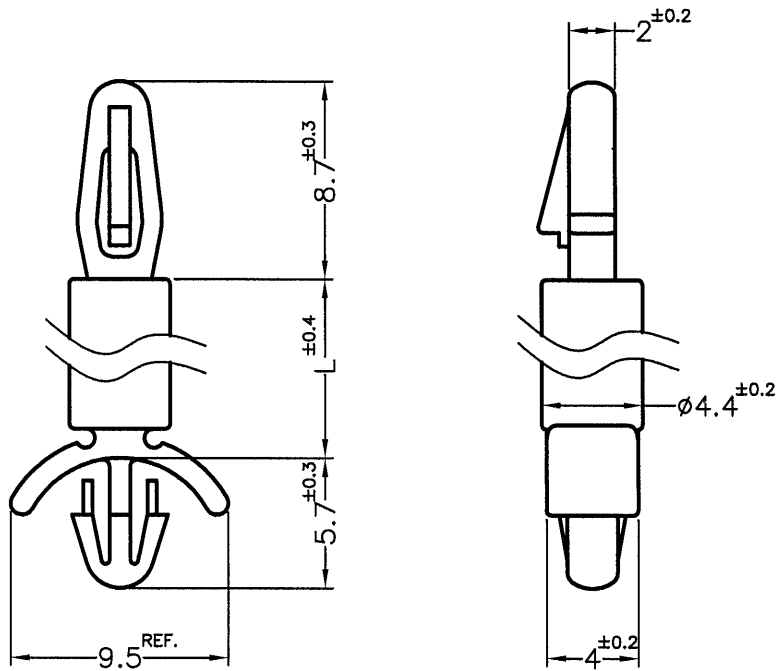


REVISIONS			
REV	DESCRIPTION	DATE	BY

HOLE IN P.C.B $\phi 3.2$
P.C.B THICKNESS 1.6~1.7mm



PART NO.	L
LCSE-3.2	3.2
LCSE-4.8	4.8
LCSE-6.4	6.4
LCSE-7.9	7.9
LCSE-9.5	9.5
LCSE-11.1	11.1
LCSE-12.7	12.7
LCSE-14.3	14.3
LCSE-15.9	15.9
LCSE-17	17.0

HOLE IN P.C.B $\phi 3.0 \sim \phi 3.2$
P.C.B THICKNESS 0.8~2.0mm

NOTE:MADE OF EQUIVALENT MATERIAL.
均可使用同等材質.

				TITLE	SPACER SUPPORT	SPEC. DWG.	
				MATERIAL	NYLON 66 UL94V-2	DATE	2016.06.24
				FINISH		DRAWN	Y.C.P
				COLOR	NATURAL	CHECK	
PART NUMBER	SEE ABOVE	DRAWING NUMBER	LCSE-H	UNLESS OTHERWISE SPECIFIED TOLERANCE	SEE ABOVE	APPROVED	
SIZE	A4	SCALE	NONE	UNIT	mm	REV	C