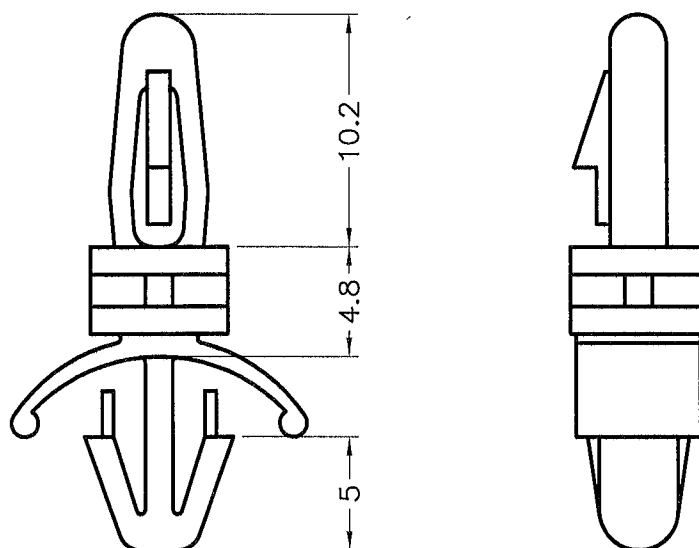


DIM	TOL
5mm DOWN	±0.2
5~20mm	±0.3
20~40mm	±0.4
40~60mm	±0.5
60~100mm	±0.8
100mm UP	±1.0


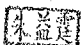
REVISIONS			
REV	DESCRIPTION	DATE	BY

HOLE IN P.C.B $\phi 4$
P.C.B THICKNESS 2.0~3.2



HOLE IN CHASSIS $\phi 4.8$
CHASSIS THICKNESS 2.0~3.2

NOTE: MADE OF EQUIVALENT MATERIAL.
均可使用同等材質。

 <p>康揚企業股份有限公司 KANG YANG HARDWARE ENTERPRISE CO., LTD. 康揚塑膠(東莞)有限公司 KANG YANG PLASTIC(DONG GUAN) CO., LTD. 康哲電腦配件(吳江)有限公司 KANG CHE COMPUTER COMPONENTS(WUJIANG) CO., LTD.</p>				TITLE	SPACE SUPPORT	SPEC. DWG.	
				MATERIAL	NYLON 66 UL94V-2	DATE	2007.01.26
				FINISH		DRAWN	JOHNNY
PART NUMBER	LCSL-4.8	DRAWING NUMBER	LCSL-H	COLOR	NATURAL	CHECK	
SIZE	A4	SCALE	3:1	UNIT	mm	REV	B
				UNLESS OTHERWISE SPECIFIED TOLERANCE	SEE ABOVE	APPROVED	