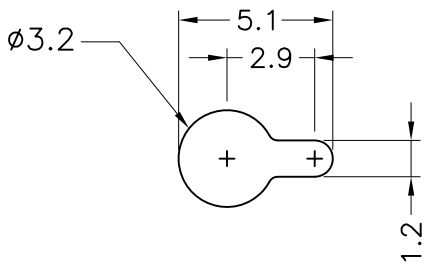
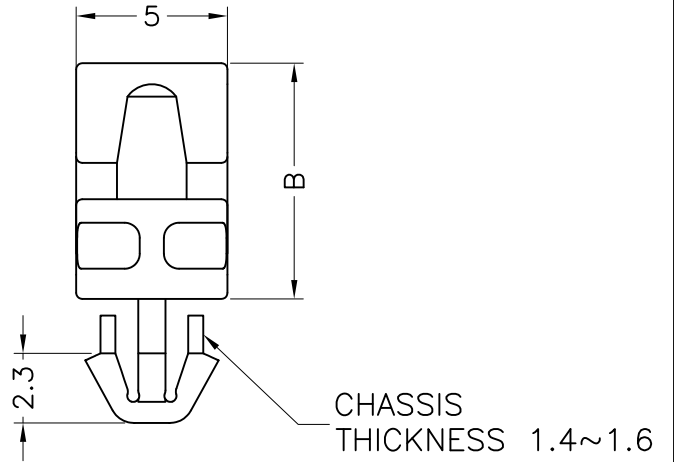
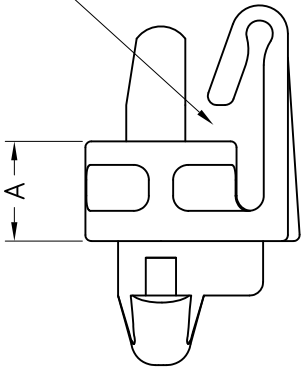
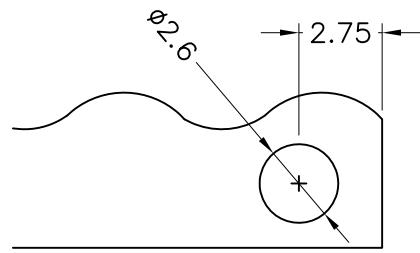


P.C.B THICKNESS:0.8~1.0



MOUNTING HOLE



HOLE IN P.C.B

PART NO	A	B
LCUE-3.3	3.3	7.8

NOTE:N