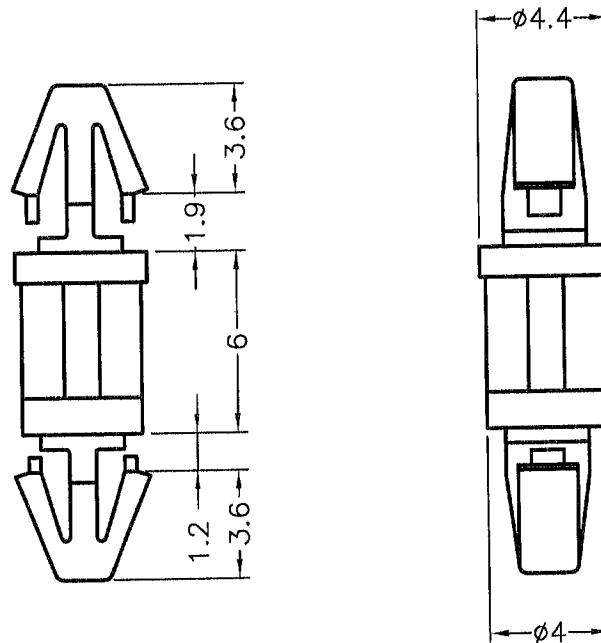


DIM.	TOL
5mm DOWN	±0.2
5~20mm	±0.3
20~40mm	±0.4
40~60mm	±0.5
60~100mm	±0.8
100mm UP	±1.0


REVISIONS			
REV	DESCRIPTION	DATE	BY

HOLE IN P.C.B: $\phi 3.0$
P.C.B THICKNESS 1.2~1.7



HOLE IN P.C.B: $\phi 3.0$
P.C.B THICKNESS 0.8~1.0

NOTE: All measurement does not include gate which raises under 0.3mm.

 康揚企業股份有限公司 KANG YANG HARDWARE ENTERPRISE CO., LTD. 康揚塑膠(東莞)有限公司 KANG YANG PLASTIC(DONG GUAN) CO., LTD. ISO 9001 ISO 14001 QC 080000 康哲電腦配件(吳江)有限公司 KANG CHE COMPUTER COMPONENTS(WUJIANG) CO., LTD.		TITLE	SPEC. DWG.
		MATERIAL	DATE
PART NUMBER	DRAWING NUMBER	HARDNESS	DRAWN
SIZE	SCALE	COLOR	CHECK
UNIT	REV	UNLESS OTHERWISE SPECIFIED TOLERANCE	APPROVED

SPACER SUPPORT

NYLON 66 UL94V-2

HARDNESS

NATURAL

SEE ABOVE

2004.07.01

Linda



Kang