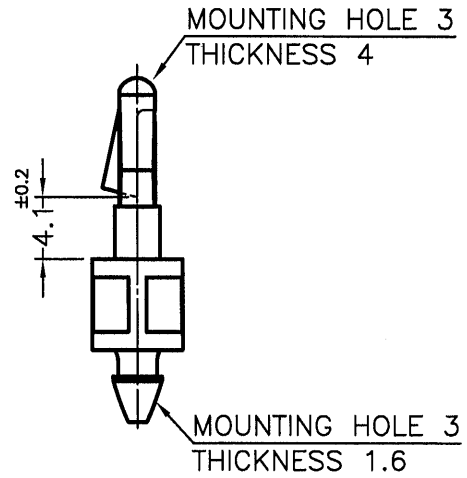
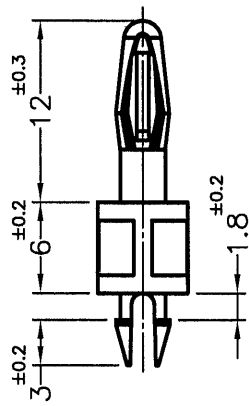
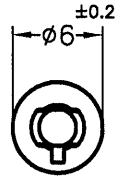

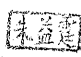



REVISIONS			
REV	DESCRIPTION	DATE	BY



NOTE:MADE OF EQUIVALENT MATERIAL.
使用同等材質

 <p>康揚企業股份有限公司 KANG YANG HARDWARE ENTERPRISE CO., LTD. 康揚塑膠(東莞)有限公司 KANG YANG PLASTIC(DONG GUAN)CO.,LTD. 康哲電腦配件(吳江)有限公司 KANG CHE COMPUTER COMPONENTS(WUJIANG) CO.,LTD.</p>				TITLE	SPACER SUPPORT	SPEC. DWG.	
				MATERIAL	NYLON 66 UL94V-2	DATE	2016.05.11
				FINISH		DRAWN	Summer
				COLOR	NATURAL	CHECK	
PART NUMBER	LMSA-6	DRAWING NUMBER	LMSA-6	UNLESS OTHERWISE SPECIFIED TOLERANCE	SEE ABOVE	APPROVED	
SIZE	A4	SCALE	2:1	UNIT	mm	REV	A