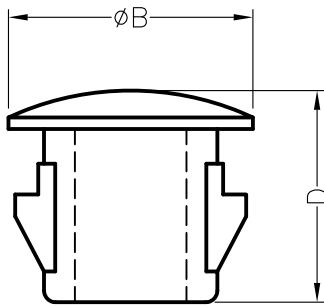


MOUNTING HOLES



THICKNESS E

PART.NO	A	B	D	E
M04	4.8	6.35	5.5	1.6
M06	6.4	7.6	5.6	1.6
M09S	9.5	13	5.5	1.4
M13.5	13.5	15.2	6.2	2.2
M16S	15.9	20	7.7	2.0