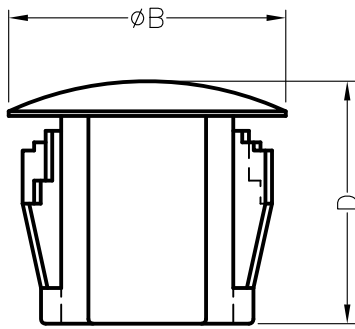


MOUNTING HOLES



THICKNESS E

PART.NO	B	D	E	G	H
M9.5U	12.0	10.5	0.8~3.5	9.5	7.9
M12U	16.2	10.6	0.8~3.0	12.7	11.5
M16U	18.6	10.6	0.8~3.5	15.9	14.0
M19U	22.7	10.6	0.8~3.0	19.0	16.5
M22U	25.6	10.6	0.8~3.3	22.1	20.5