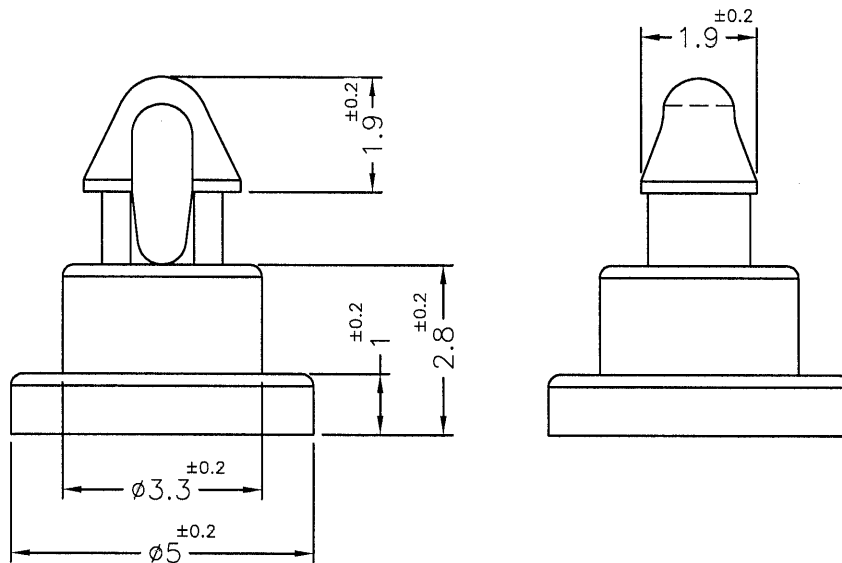

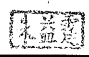
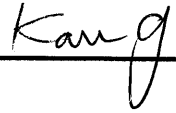


REVISIONS			
REV	DESCRIPTION	DATE	BY

HOLE IN PCB: $\phi 2.0\text{mm}$
PCB THICKNESS: 1.0mm



NOTE: MADE OF EQUIVALENT MATERIAL.
均可使用同等材質。

 <p>康揚企業股份有限公司 KANG YANG HARDWARE ENTERPRISE CO., LTD. 康揚塑膠(東莞)有限公司 KANG YANG PLASTIC(DONG GUAN) CO., LTD. 康哲電腦配件(吳江)有限公司 KANG CHE COMPUTER COMPONENTS(WUJIANG) CO., LTD.</p>				TITLE	SPACER SUPPORT	SPEC. DWG.	
				MATERIAL	NYLON 66 UL94V-2	DATE	2017.06.07
				FINISH		DRAWN	C. S. L
				COLOR	NATURAL	CHECK	
PART NUMBER	MA-2.8S	DRAWING NUMBER	MA-2.8S	UNLESS OTHERWISE SPECIFIED TOLERANCE	SEE ABOVE	APPROVED	
SIZE	A4	SCALE	8:1	UNIT	mm	REV	A