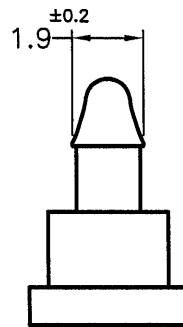
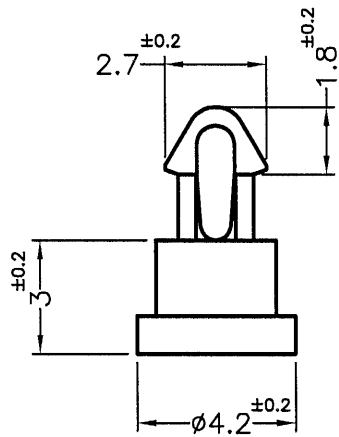



REVISIONS			
REV	DESCRIPTION	DATE	BY



HOLE IN P.C.B: $\phi 2.0$
P.C.B THICKNESS: 1.6mm

NOTE: MADE OF EQUIVALENT MATERIAL.
使用同等材質

 <p>康揚企業股份有限公司 KANG YANG HARDWARE ENTERPRISE CO., LTD. 康揚塑膠(東莞)有限公司 KANG YANG PLASTIC(DONG GUAN) CO., LTD. 康哲電腦配件(吳江)有限公司 KANG CHE COMPUTER COMPONENTS(WUJIANG) CO., LTD.</p>				TITLE SPACER SUPPORT		SPEC. DWG.	
				MATERIAL NYLON 66 UL94V-2		DATE 2018.05.09	
				FINISH		DRAWN T.C	
				COLOR BLACK		CHECK <u>Will</u>	
PART NUMBER MA-3SA(B)		DRAWING NUMBER MA-3SA		UNLESS OTHERWISE SPECIFIED TOLERANCE SEE ABOVE		APPROVED <i>Kang</i>	
SIZE A4	SCALE 5:1	UNIT mm	REV A				