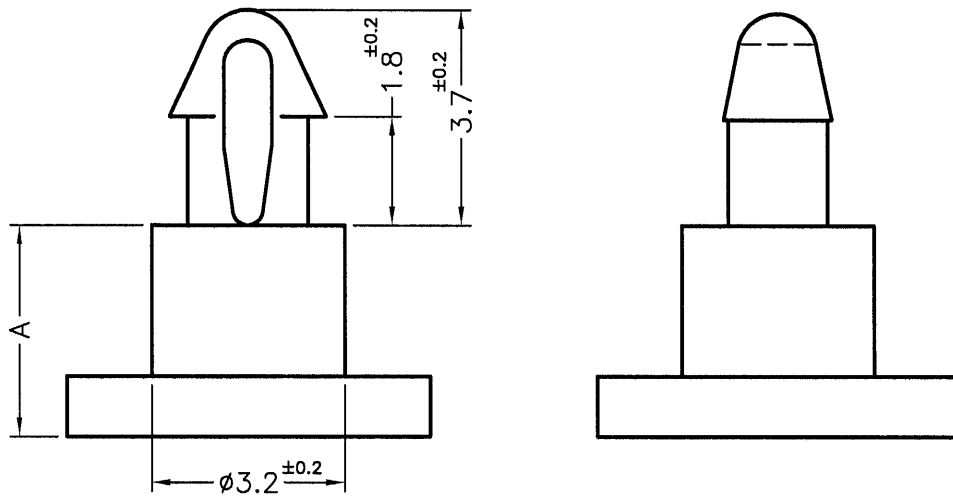


DIM.	TOL
L≤10	±0.2
10<L≤30	±0.3
30<L≤50	±0.5
50<L≤100	±0.7
100<L≤250	±1.2
ABOVE 250	±1.5


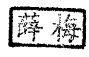
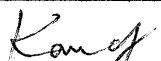
REVISIONS			
REV	DESCRIPTION	DATE	BY

HOLE IN P.C.B:Ø2.0
P.C.B THICKNESS:1.6mm



PART NO.	A
MA-2.7DL	2.7
MA-3.85DL	3.85
MA-4.5DL	4.5
MA-5DL	5.0
MA-6.5DL	6.5

NOTE:MADE OF EQUIVALENT MATERIAL.
使用同等材質

 <p>康揚企業股份有限公司 KANG YANG HARDWARE ENTERPRISE CO., LTD. 康揚塑膠(東莞)有限公司 KANG YANG PLASTIC(DONG GUAN) CO., LTD. 康哲電腦配件(吳江)有限公司 KANG CHE COMPUTER COMPONENTS(WUJIANG) CO., LTD.</p>	TITLE	SPACER SUPPORT	SPEC. DWG.
	MATERIAL	NYLON 66 UL94V-2	DATE 2012.07.10
	FINISH		DRAWN Lyu
	COLOR	NATURAL	CHECK 
PART NUMBER SEE ABOVE	DRAWING NUMBER MA-HDL	UNLESS OTHERWISE SPECIFIED TOLERANCE SEE ABOVE	APPROVED 
SIZE A4	SCALE 8:1	UNIT mm	REV C