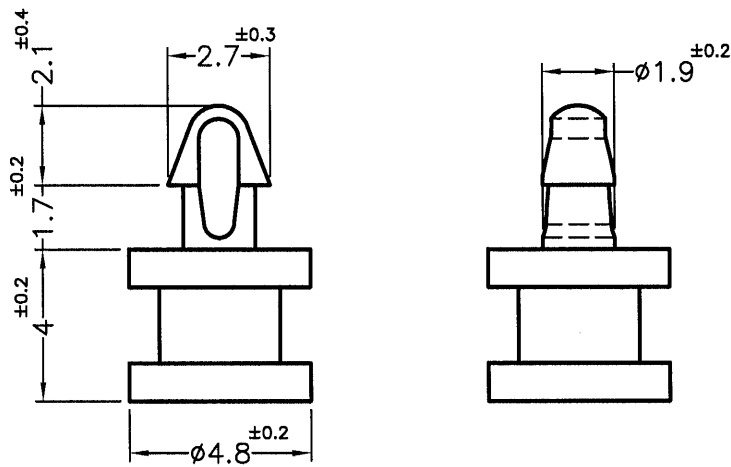





REVISIONS			
REV	DESCRIPTION	DATE	BY

HOLE IN P.C.B  $\phi 2.0$   
P.C.B THICKNESS 1.6



NOTE:MADE OF EQUIVALENT MATERIAL.  
均可使用同等材質.

 康揚企業股份有限公司 KANG YANG HARDWARE ENTERPRISE CO., LTD. 康揚塑膠(東莞)有限公司 KANG YANG PLASTIC(DONG GUAN )CO.,LTD. ISO 9001 ISO 14001 QC 080000 康哲電腦配件(吳江)有限公司 KANG CHE COMPUTER COMPONENTS(WUJIANG) CO.,LTD.		TITLE	MOUNTING BUTTON	SPEC. DWG.	
		MATERIAL	NYLON 66 UL94V-2	DATE	2014.04.02
PART NUMBER		MAB-4	DRAWING NUMBER	MAB-H	CHECK
SIZE		A4	SCALE	5:1	UNIT
DRAWING NUMBER		MAB-H	COLOR	NATURAL	APPROVED
UNIT		mm	REV	A	UNLESS OTHERWISE SPECIFIED TOLERANCE
SEE ABOVE		DRAWN		C.S.L	APPROVED
SEE ABOVE		CHECK			APPROVED
SEE ABOVE		TOLERANCE		SEE ABOVE	APPROVED
SEE ABOVE		APPROVED			APPROVED