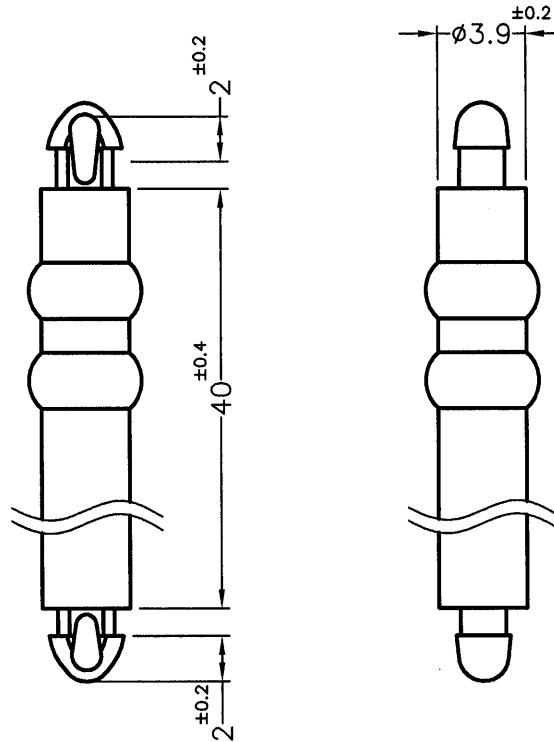



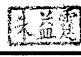
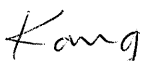
REVISIONS			
REV	DESCRIPTION	DATE	BY

MOUNTING HOLE $\phi 2.5$
THICKNESS 1.6mm



MOUNTING HOLE $\phi 2.5$
THICKNESS 1.0mm

NOTE:MADE OF EQUIVALENT MATERIAL.
均可使用同等材質.

 <p>康揚企業股份有限公司 KANG YANG HARDWARE ENTERPRISE CO., LTD. 康揚塑膠(東莞)有限公司 KANG YANG PLASTIC(DONG GUAN)CO.,LTD. ISO 9001 ISO 14001 QC 080000 康哲電腦配件(吳江)有限公司 KANG CHE COMPUTER COMPONENTS(WUJIANG) CO.,LTD.</p>				TITLE	SPEC. DWG.	
				SPACER SUPPORT	DATE	2014.04.07
				MATERIAL	DRAWN	Emily
				NYLON 66 UL94V-2	CHECK	
PART NUMBER		DRAWING NUMBER		COLOR	APPROVED	
MAC-40		MAC-40		NATURAL		
SIZE	SCALE	UNIT	REV	UNLESS OTHERWISE SPECIFIED TOLERANCE	SEE ABOVE	
A4	3:1	mm	A			