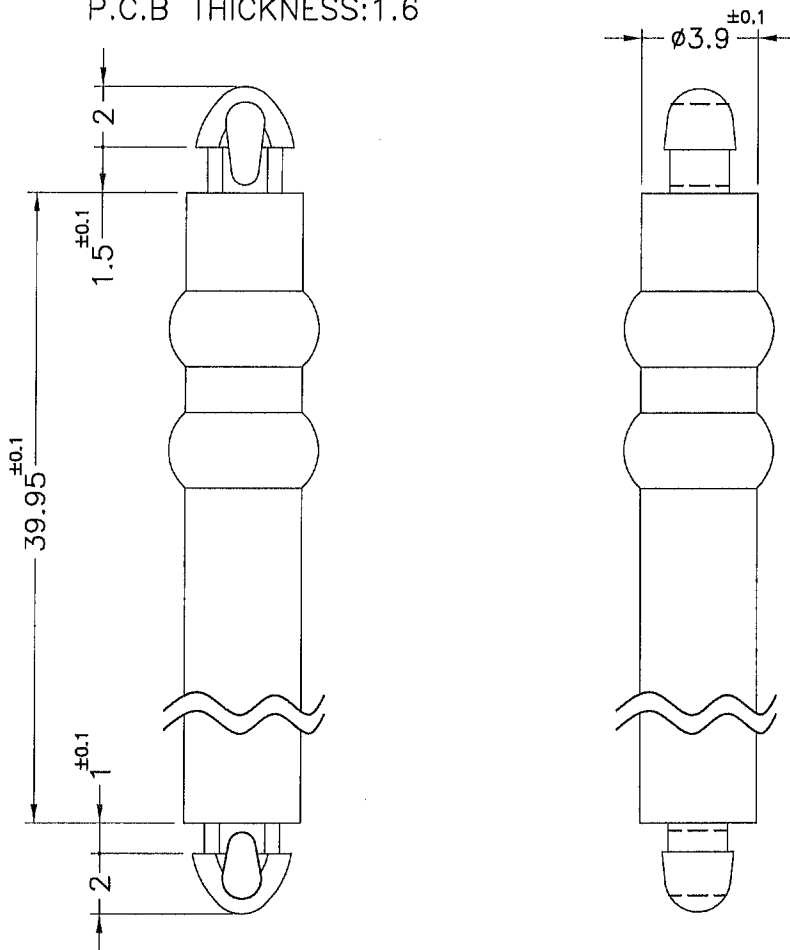


DIM	TOL
L≤10	±0.2
10<L≤30	±0.3
30<L≤50	±0.5
50<L≤100	±0.7
100<L≤250	±1.2
ABOVE 250	±1.5

REVISIONS			
REV	DESCRIPTION	DATE	BY

HOLE IN P.C.B:φ2.5
P.C.B THICKNESS:1.6



HOLE IN P.C.B:φ2.5
P.C.B THICKNESS:1.0

NOTE: All measurement does not include gate which raises under 0.3mm.



康揚企業股份有限公司
KANG YANG HARDWARE ENTERPRISE CO., LTD.
康揚塑膠(東莞)有限公司
KANG YANG PLASTIC(DONG GUAN) CO., LTD.
康哲電腦配件(吳江)有限公司
KANG CHE COMPUTER COMPONENTS(WUJIANG) CO., LTD.

TITLE	SPACER SUPPORT	SPEC. DWG.
MATERIAL	NYLON 66 UL94V-2	DATE 2014.04.07
FINISH		DRAWN Emily
COLOR	NATURAL	CHECK
PART NUMBER	MAC-40S	APPROVED Kang
DRAWING NUMBER	MAC-40S	
SIZE	A4	
SCALE	4:1	
UNIT	mm	
REV	A	
UNLESS OTHERWISE SPECIFIED TOLERANCE	SEE ABOVE	