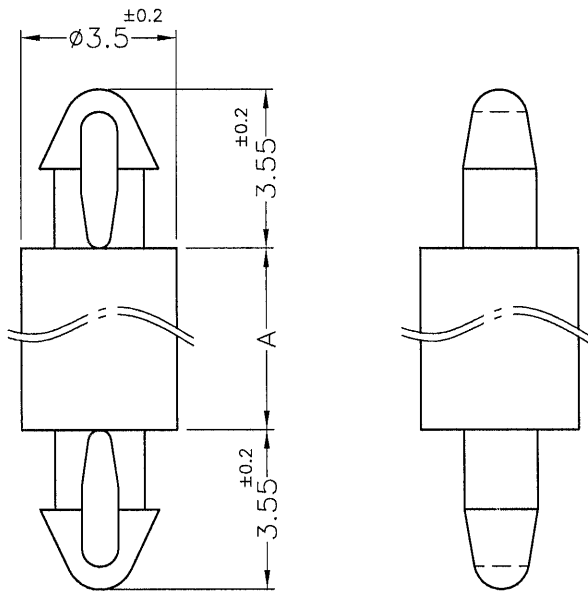


DIM.	TOL
5mm DOWN	±0.2
5~20mm	±0.3
20~40mm	±0.4
40~60mm	±0.5
60~100mm	±0.8
100mm UP	±1.0

REVISIONS			
REV	DESCRIPTION	DATE	BY



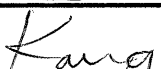
MOUNTING HOLE: $\phi 2.0\text{mm}$
THICKNESS: 1.6mm



MOUNTING HOLE: $\phi 2.0\text{mm}$
THICKNESS: 1.6mm

PART NO.	A
MAD-1.6	1.6
MAD-2.2	2.2
MAD-3	3.0
MAD-3.5	3.5
MAD-4	4.0
MAD-5	5.0
MAD-6	6.0
MAD-6.5	6.5
MAD-7	7.0
MAD-8	8.0
MAD-10S	10.0
MAD-10	10.5
MAD-12.5	12.5
MAD-18	18.0
MAD-25	25.0

NOTE: MADE OF EQUIVALENT MATERIAL.
可使用同等材質。

 <p>康揚企業股份有限公司 KANG YANG HARDWARE ENTERPRISE CO., LTD. 康揚塑膠(東莞)有限公司 KANG YANG PLASTIC(DONG GUAN) CO., LTD. 康哲電腦配件(吳江)有限公司 KANG CHE COMPUTER COMPONENTS(WUJIANG) CO., LTD.</p>				TITLE SPACER SUPPORT		SPEC. DWG.	
				MATERIAL NYLON 66 UL94V-2		DATE 1998.12.01	
				FINISH		DRAWN AMY	
				COLOR NATURAL		CHECK 	
PART NUMBER SEE ABOVE		DRAWING NUMBER MAD-H		UNLESS OTHERWISE SPECIFIED TOLERANCE SEE ABOVE		APPROVED 	
SIZE A4	SCALE 6:1	UNIT mm	REV F				