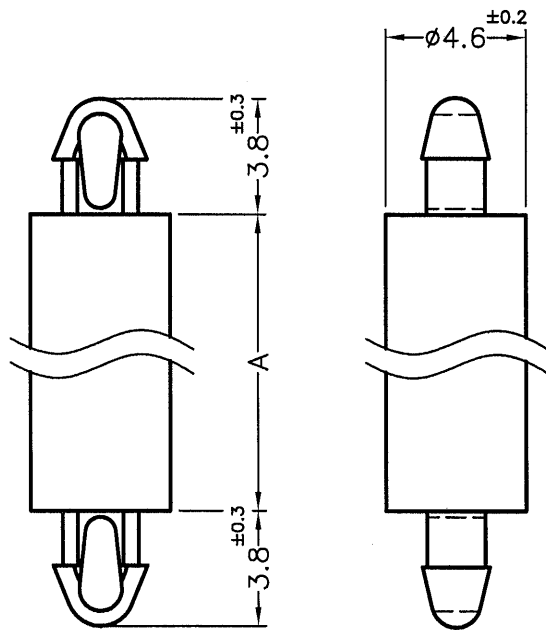


| DIM. | TOL |
|----------|------|
| 5mm DOWN | ±0.2 |
| 5~20mm | ±0.3 |
| 20~40mm | ±0.4 |
| 40~60mm | ±0.5 |
| 60~100mm | ±0.8 |
| 100mm UP | ±1.0 |

| REVISIONS | | | |
|-----------|-------------|------|----|
| REV | DESCRIPTION | DATE | BY |
| | | | |
| | | | |




HOLE IN P.C.B ϕ 2.5mm
P.C.B THICKNESS 1.6mm



HOLE IN P.C.B ϕ 2.5mm
P.C.B THICKNESS 1.6mm

| PART NO. | A |
|-----------|------|
| MADA-2 | 2.0 |
| MADA-3 | 3.0 |
| MADA-3.5 | 3.5 |
| MADA-4 | 4.0 |
| MADA-5 | 5.0 |
| MADA-6 | 6.0 |
| MADA-6.7 | 6.7 |
| MADA-7 | 7.0 |
| MADA-8 | 8.0 |
| MADA-8.5 | 8.5 |
| MADA-9 | 9.0 |
| MADA-10 | 10.0 |
| MADA-11 | 11.0 |
| MADA-12.7 | 12.7 |
| MADA-18 | 18.0 |
| MADA-20 | 20.0 |
| MADA-22 | 22.0 |

NOTE:MADE OF EQUIVALENT MATERIAL.
均可使用同等材質.

| | | | | | | | |
|--|--------------|--------------------------|----------|--|--|---|--|
|  <p>康揚企業股份有限公司 KANG YANG HARDWARE ENTERPRISE CO., LTD. 康揚塑膠(東莞)有限公司 KANG YANG PLASTIC(DONG GUAN) CO., LTD. 康哲電腦配件(吳江)有限公司 KANG CHE COMPUTER COMPONENTS(WUJIANG) CO., LTD.</p> | | | | TITLE SPACER SUPPORT | | SPEC. DWG. | |
| | | | | MATERIAL NYLON 66 UL94V-2 | | DATE 2006.07.10 | |
| | | | | FINISH | | DRAWN KEVIN | |
| | | | | COLOR NATURAL | | CHECK  | |
| PART NUMBER SEE ABOVE | | DRAWING NUMBER MADA-H | | UNLESS OTHERWISE SPECIFIED TOLERANCE SEE ABOVE | | APPROVED  | |
| SIZE A4 | SCALE 4:1 | UNIT mm | REV D | | | | |