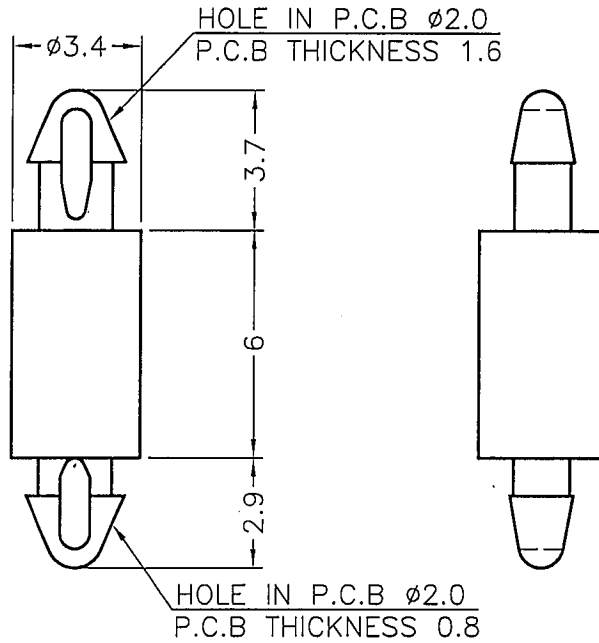


DIM.	TOL
L≤10	±0.2
10<L≤30	±0.3
30<L≤50	±0.5
50<L≤100	±0.7
100<L≤250	±1.2
ABOVE 250	±1.5

REVISIONS			
REV	DESCRIPTION	DATE	BY


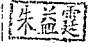


QM122 Component - Plastics Wednesday E41938  
 E I DUPONT DE NEMOURS & CO INC  
 ENGINEERING POLYMERS CHESTNUT RUN PLAZA PO BOX 80713 WILMINGTON DE 19880  
 Material Designation: 101(+)(PI), 101P(+)(PI), 101L(+)(PI), E101(+)(PI), E101L(PI), 132P(+)(PI), 135P(+)(PI)  
 Product Description: Polyamide 66 (PA66), designated "Zytel" furnished as pellets.

Color	Min. Thick. (mm)	Flame Class	HVI	HAI	RTI Elec	RTI Imp	RTI Str	IEC GWIT	IEC GWFI
ALL	0.71	V-2	4	0	130	75	85	725	960
	1.5	V-2	3	0	130	75	85	750	960
	3	V-2	2	0	130	75	85	800	960
	6	V-2	2	0	130	75	85	800	960

CTI: 0 HVTR: 0 D495: 6 IEC Ball Pressure (Cr.  
 Strength (kV/mm) Volume Resistivity (10<sup>15</sup>ohm-cm) 14 Dimensional Stability (Cr.  
 Strength (MPa) ISO Flexural Strength (MPa) Cr. Deflection (Cr.  
 ISO Tensile Impact (kJ/m<sup>2</sup>) ISO Charpy Impact (kJ/m<sup>2</sup>)  
 ISO Izod Impact (kJ/m<sup>2</sup>)

(+) Virgin and regrind up to 50% by weight inclusive, have the same basic material characteristics.  
 (PI) Suitable for outdoor use with respect to exposure to Ultraviolet Light, Water Exposure and Immersion in accordance with UL 746C.  
 NOTE (1) Material designations that are color pigmented may be followed by suffix letters and numbers. (2) Material designations may be prefixed by "ZYT" or "MIN" or "ZEN" or "DEL" or "CRA" or "RYN".  
 Report Date: 7/29/1996 Underwriters Laboratories Inc®  
 UL94 small-scale test data does not pertain to building materials, furnishings and related contents. UL 94 small-scale test data is intended solely for determining the flammability of plastic materials used in components and parts of end-product devices a

 <p>康揚企業股份有限公司          KANG YANG HARDWARE ENTERPRISE CO., LTD.          康揚塑膠(東莞)有限公司          KANG YANG PLASTIC(DONG GUAN) CO., LTD.          康哲電腦配件(吳江)有限公司          KANG CHE COMPUTER COMPONENTS(WUJIANG) CO., LTD.</p>	TITLE SPACER SUPPORT		SPEC. DWG.	
	MATERIAL NYLON 66 UL94V-2		DATE 2011.07.06	
	FINISH		DRAWN SAI	
	COLOR NATURAL		CHECK 	
PART NUMBER MADB-6	DRAWING NUMBER MADB-6		UNLESS OTHERWISE SPECIFIED TOLERANCE SEE ABOVE	
SIZE A4	SCALE 5:1	UNIT mm	REV A	APPROVED 