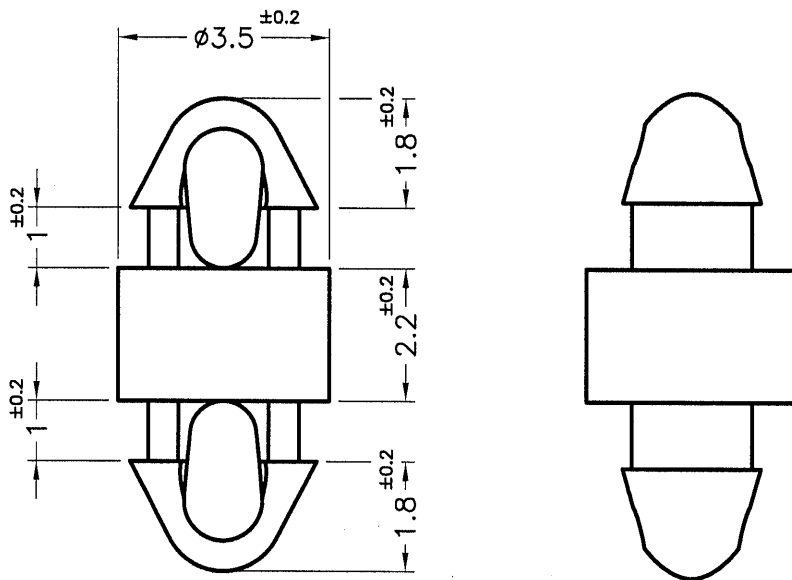



REVISIONS			
REV	DESCRIPTION	DATE	BY

HOLE IN P.C.B Ø2.6
P.C.B THICKNESS 1.0mm



HOLE IN P.C.B Ø2.6
P.C.B THICKNESS 1.0mm

NOTE:MADE OF EQUIVALENT MATERIAL.
均可使用同等材質.

 康揚企業股份有限公司 KANG YANG HARDWARE ENTERPRISE CO., LTD. 康揚塑膠(東莞)有限公司 KANG YANG PLASTIC(DONG GUAN)CO.,LTD. 康哲電腦配件(吳江)有限公司 KANG CHE COMPUTER COMPONENTS(WUJIANG) CO.,LTD.				TITLE	SPACER SUPPORT		SPEC. DWG.	
				MATERIAL	NYLON 66 UL94V-2		DATE	2016.01.11
PART NUMBER				FINISH	DRAWN			
MADM1-2.2				NATURAL			M.F	
DRAWING NUMBER				COLOR	CHECK			
MADM1-2.2				UNLESS OTHERWISE SPECIFIED TOLERANCE			APPROVED	
SIZE	SCALE	UNIT	REV	SEE ABOVE		Kang		
A4	8:1	mm	A					