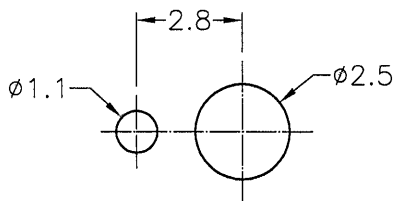
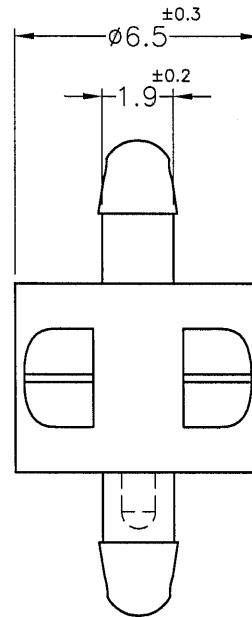
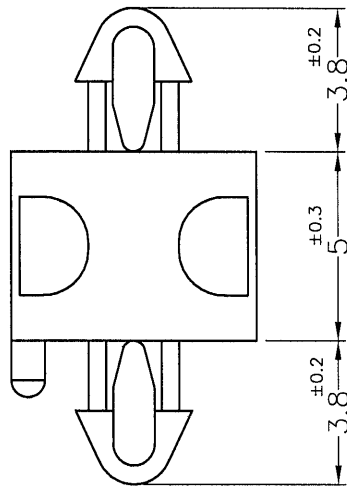




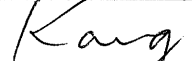
REVISIONS			
REV	DESCRIPTION	DATE	BY

MOUNTING HOLE: $\phi 2.5\text{mm}$
THICKNESS: 1.6mm



MOUNTING HOLE
THICKNESS: 1.6mm

NOTE:MADE OF EQUIVALENT MATERIAL.
均可使用同等材質。

 <p>康揚企業股份有限公司 KANG YANG HARDWARE ENTERPRISE CO., LTD. 康揚塑膠(東莞)有限公司 KANG YANG PLASTIC(DONG GUAN) CO., LTD. 康哲電腦配件(吳江)有限公司 KANG CHE COMPUTER COMPONENTS(WUJIANG) CO., LTD.</p>		TITLE	SPACER SUPPORT	SPEC. DWG.			
		MATERIAL	NYLON 66 UL94V-2	DATE	2005.05.13		
		FINISH		DRAWN	S.J.C.		
		COLOR	NATURAL	CHECK			
PART NUMBER	MADMK-5	DRAWING NUMBER	MADMK-5	UNLESS OTHERWISE SPECIFIED TOLERANCE	SEE ABOVE	APPROVED	
SIZE	A4	SCALE	5:1	UNIT	mm	REV	A