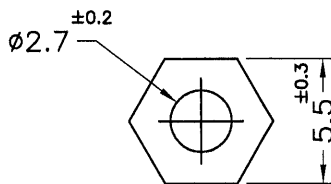
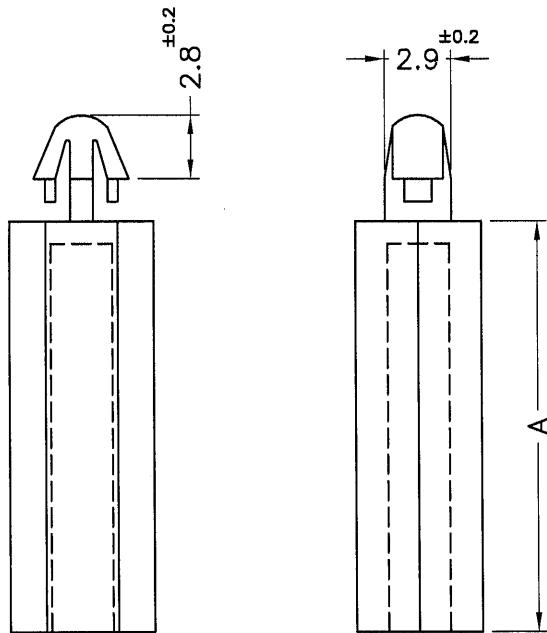


DIM.	TOL
5mm DOWN	±0.2
5~20mm	±0.3
20~40mm	±0.4
40~60mm	±0.5
60~100mm	±0.8
100mm UP	±1.0


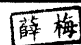

REVISIONS			
REV	DESCRIPTION	DATE	BY

HOLE IN P.C.B Ø3
P.C.B THICKNESS 1.6



PART NO.	A
MAE-5	5.0
MAE-6	6.0
MAE-7	7.0
MAE-8	8.0
MAE-9	9.0
MAE-10	10.0
MAE-11	11.0
MAE-12	12.0
MAE-13	13.0
MAE-14	14.0
MAE-15	15.0
MAE-16	16.0
MAE-17	17.0
MAE-18	18.0
MAE-19	19.0
MAE-20	20.0
MAE-22	22.0
MAE-23.5	23.5
MAE-26	26.0

NOTE: MADE OF EQUIVALENT MATERIAL.
均可使用同等材質.

 康揚企業股份有限公司 KANG YANG HARDWARE ENTERPRISE CO., LTD. 康揚塑膠(東莞)有限公司 KANG YANG PLASTIC(DONG GUAN) CO., LTD. ISO 9001 ISO 14001 QC 080000 康哲電腦配件(吳江)有限公司 KANG CHE COMPUTER COMPONENTS(WUJIANG) CO., LTD.		TITLE SPACER SUPPORT	SPEC. DWG.
		MATERIAL NYLON 66 UL94V-2	DATE 2004.11.25
PART NUMBER SEE ABOVE		FINISH	DRAWN S.J.C.
DRAWING NUMBER MAE-HH		COLOR NATURAL	CHECK 
SIZE A4	SCALE 4:1	UNLESS OTHERWISE SPECIFIED TOLERANCE SEE ABOVE	APPROVED 
UNIT mm	REV C		