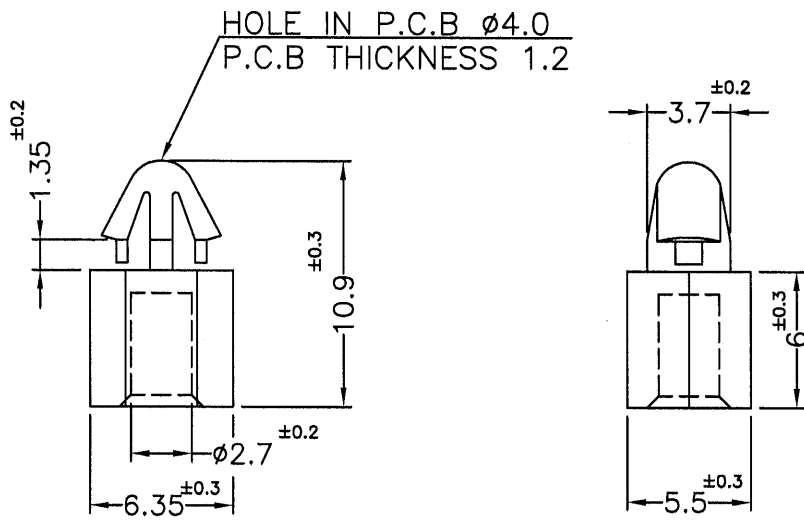

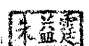


REVISIONS			
REV	DESCRIPTION	DATE	BY



NOTE:MADE OF EQUIVALENT MATERIAL.
使用同等材質

 康揚企業股份有限公司 KANG YANG HARDWARE ENTERPRISE CO., LTD. 康揚塑膠(東莞)有限公司 KANG YANG PLASTIC(DONG GUAN) CO., LTD. ISO 9001 ISO 14001 QC 080000 康哲電腦配件(吳江)有限公司 KANG CHE COMPUTER COMPONENTS(WUJIANG) CO., LTD.		TITLE	SPACER SUPPORT	SPEC. DWG.			
		MATERIAL	NYLON 66 UL94V-2	DATE	2009.02.03		
		FINISH		DRAWN	SAI		
PART NUMBER	MAE4D-6	DRAWING NUMBER	MAE4D-6	COLOR	NATURAL	CHECK	
SIZE	A4	SCALE	3:1	UNIT	mm	REV	A
				UNLESS OTHERWISE SPECIFIED TOLERANCE	SEE ABOVE	APPROVED	