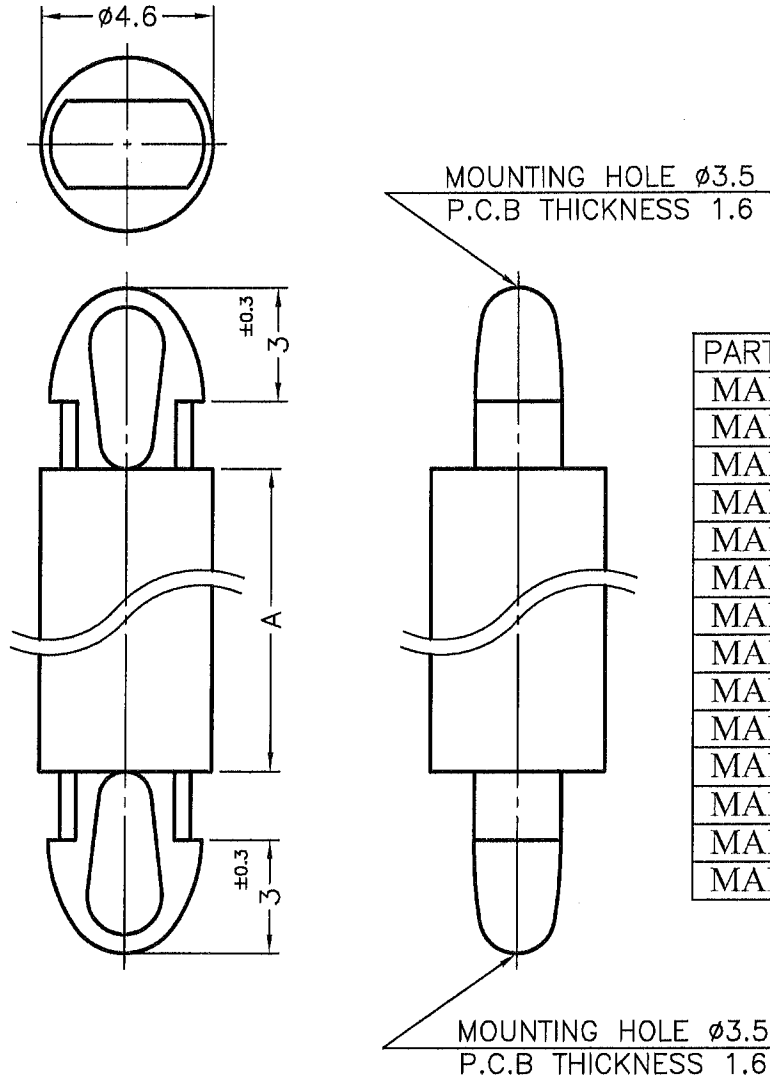



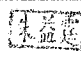
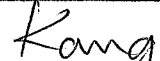
DTM.	TOL.
5mm DOWN.	±0.2
5~20mm	±0.3
20~40mm	±0.4
40~60mm	±0.5
60~100mm	±0.8
100mm UP.	±1.0

REVISIONS			
REV	DESCRIPTION	DATE	BY



PART NO.	A
MAF-2	2.0
MAF-3	3.0
MAF-4	4.0
MAF-5	5.0
MAF-6	6.0
MAF-7	7.0
MAF-8	8.0
MAF-10	10.0
MAF-12	12.0
MAF-14	14.0
MAF-16	16.0
MAF-18	18.0
MAF-20	20.0
MAF-22	22.0

NOTE: All measurement does not include gate which raises under 0.3mm.

 康揚企業股份有限公司 KANG YANG HARDWARE ENTERPRISE CO., LTD. 康揚塑膠(東莞)有限公司 KANG YANG PLASTIC(DONG GUAN) CO., LTD. 康哲電腦配件(吳江)有限公司 KANG CHE COMPUTER COMPONENTS(WUJIANG) CO., LTD.				TITLE	SPACER SUPPORT	SPEC. DWG.	
				MATERIAL	NYLON 66 UL94V-2	DATE	2007.01.22
				FINISH		DRAWN	leeya
				COLOR	NATURAL	CHECK	
PART NUMBER	SEE ABOVE	DRAWING NUMBER	MAF-HH	UNLESS OTHERWISE SPECIFIED TOLERANCE	SEE ABOVE	APPROVED	
SIZE	A4	SCALE	NONE	UNIT	mm	REV	C