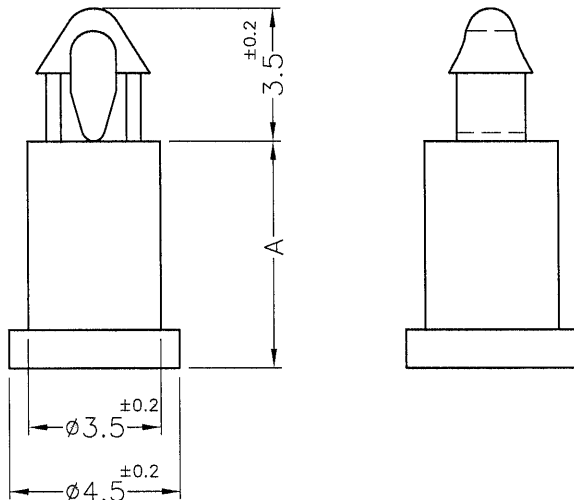


DIM.	TOL
5mm DOWN	±0.2
5~20mm	±0.3
20~40mm	±0.4
40~60mm	±0.5
60~100mm	±0.8
100mm UP	±1.0


REVISIONS			
REV	DESCRIPTION	DATE	BY

HOLE IN P.C.B: $\phi 2.5\text{mm}$
P.C.B THICKNESS: 1.6~1.8mm



PART NO.	A
MAM-1.5	1.5
MAM-2	2.0
MAM-2.5	2.5
MAM-2.7	2.7
MAM-2.8	2.8
MAM-3	3.0
MAM-3.5	3.5
MAM-4	4.0
MAM-4.5	4.5
MAM-5	5.0
MAM-5.7	5.7
MAM-6	6.0

NOTE:MADE OF EQUIVALENT MATERIAL.
均可使用同等材質.

 <p>康揚企業股份有限公司 KANG YANG HARDWARE ENTERPRISE CO., LTD. 康揚塑膠(東莞)有限公司 KANG YANG PLASTIC(DONG GUAN)CO.,LTD. 康哲電腦配件(吳江)有限公司 KANG CHE COMPUTER COMPONENTS(WUJIANG) CO.,LTD.</p>				TITLE	SPEC. DWG.
				MATERIAL	DATE
				FINISH	DRAWN
PART NUMBER	DRAWING NUMBER	COLOR	CHECK		
SEE ABOVE	MAM-	NATURAL	彭水林		
SIZE	SCALE	UNLESS OTHERWISE SPECIFIED TOLERANCE	APPROVED		
A4	5:1	SEE ABOVE	Ch		