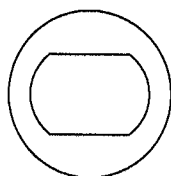


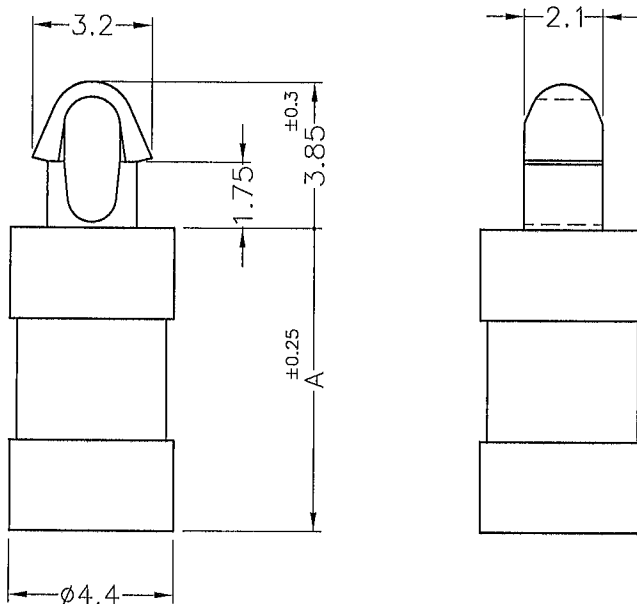
DIM.	TOL.
5mm DOWN	±0.2
5~20mm	±0.3
20~40mm	±0.4
40~60mm	±0.5
60~100mm	±0.8
100mm UP	±1.0

REVISIONS			
REV	DESCRIPTION	DATE	BY


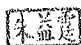


PART NO	A
MAM-7	7.0
MAM-8	8.0
MAM-9	9.0
MAM-11	11.1
MAM-12.7	12.7

MOUNTING HOLE: $\phi 2.5$
P.C.B THICKNESS: 1.6



NOTE: MADE OF EQUIVALENT MATERIAL.
均可使用同等材質

 <p>康揚企業股份有限公司 KANG YANG HARDWARE ENTERPRISE CO., LTD. 康揚塑膠(東莞)有限公司 KANG YANG PLASTIC(DONG GUAN) CO., LTD. 康哲電腦配件(吳江)有限公司 KANG CHE COMPUTER COMPONENTS(WUJIANG) CO., LTD.</p>	TITLE SPACER SUPPORT		SPEC. DWG.	
	MATERIAL NYLON 66 UL94V-2		DATE 2004.12.06	
	FINISH		DRAWN <i>Linda</i>	
	COLOR NATURAL		CHECK 	
PART NUMBER SEE ABOVE	DRAWING NUMBER MAM-H		UNLESS OTHERWISE SPECIFIED TOLERANCE SEE ABOVE	
SIZE A4	SCALE 5:1	UNIT mm	REV A	APPROVED 