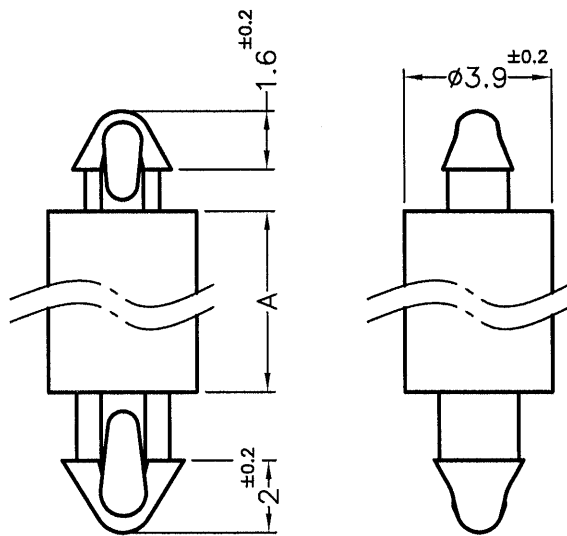


DIM.	TOL
L≤10	±0.2
10<L≤30	±0.3
30<L≤50	±0.5
50<L≤100	±0.7
100<L≤250	±1.2
ABOVE 250	±1.5

REVISIONS			
REV	DESCRIPTION	DATE	BY

TO SNAP-LOCK IN A  $.079 \pm .002$   
 $[2 \pm 0.05]$  DIA.HOLE, IN A  
 $.042 [1.07]$  MAX.THICK BOARD



PART NO.	A
MAMDA-1.6	1.6
MAMDA-2.5	2.5
MAMDA-3.2	3.2
MAMDA-4	4.0
MAMDA-5.5	5.5
MAMDA-6.4	6.4
MAMDA-7	7.0
MAMDA-7.9	7.9
MAMDA-9.5	9.5
MAMDA-10	10.0
MAMDA-12.7	12.7

TO SNAP-LOCK IN A  $.098 \pm .002$   
 $[2.5 \pm 0.05]$  DIA.HOLE, IN A  
 $.065 [1.65]$  MAX.THICK BOARD

- NOTE: 1. SHRINKING IS NORMAL STATUS.  
 內縮為正常現象。  
 2. MADE OF EQUIVALENT MATERIAL.  
 均可使用同等材質。

				TITLE	SPACER SUPPORT	SPEC. DWG.	
				MATERIAL	NYLON 66 UL94V-2	DATE	2012.05.16
				FINISH		DRAWN	SAI
				COLOR	NATURAL	CHECK	
PART NUMBER	SEE ABOVE	DRAWING NUMBER	MAMDA-H	UNLESS OTHERWISE SPECIFIED TOLERANCE	SEE ABOVE	APPROVED	
SIZE	A4	SCALE	5:1	UNIT	mm	REV	A