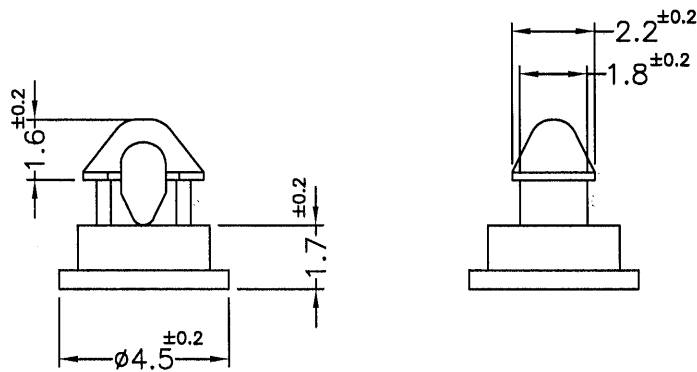

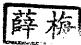



REVISIONS			
REV	DESCRIPTION	DATE	BY

HOLE IN P.C.B: $\phi 2.5$
P.C.B THICKNESS: 1.0



NOTE: MADE OF EQUIVALENT MATERIAL.
均可使用同等材質.

 <p>康揚企業股份有限公司 KANG YANG HARDWARE ENTERPRISE CO., LTD. 康揚塑膠(東莞)有限公司 KANG YANG PLASTIC(DONG GUAN) CO., LTD. 康哲電腦配件(吳江)有限公司 KANG CHE COMPUTER COMPONENTS(WUJIANG) CO., LTD.</p>	TITLE SPACER SUPPORT		SPEC. DWG.		
	MATERIAL NYLON 66 UL94V-0		DATE 2010.10.01		
	FINISH		DRAWN SAI		
	COLOR NATURAL(WHITE)		CHECK 		
PART NUMBER MAMS-1.7V0		DRAWING NUMBER MAMS-1.7		APPROVED 	
SIZE A4	SCALE 5:1	UNIT mm	REV A	UNLESS OTHERWISE SPECIFIED TOLERANCE SEE ABOVE	