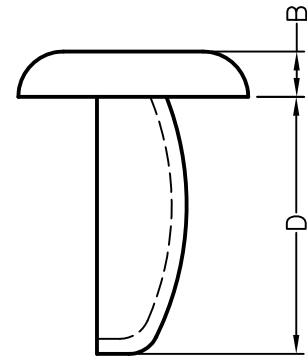
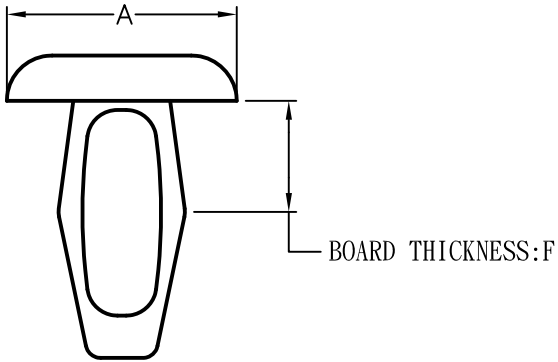


MOUNTING HOLE



PART NO.	MATERIAL	COLOR	A	B	D	E	F
MB-1N	NYLON 66 UL94V-2	NATURAL	7.6	1.6	8.6	3.3~3.5	2.0~3.1
MB-1	POM UL94HB	WHITE					
MB-1(B)		BLACK					
MB-2N	NYLON 66 UL94V-2	NATURAL	7.6	1.3	10.8	3.3~3.6	3.0~4.0
MB-2	POM UL94HB	WHITE					
MB-2(B)		BLACK					
MB-3N	NYLON 66 UL94V-2	NATURAL	7.3	1.4	8.4	3.0~3.5	2.0~3.5
MB-3N(B)		BLACK					