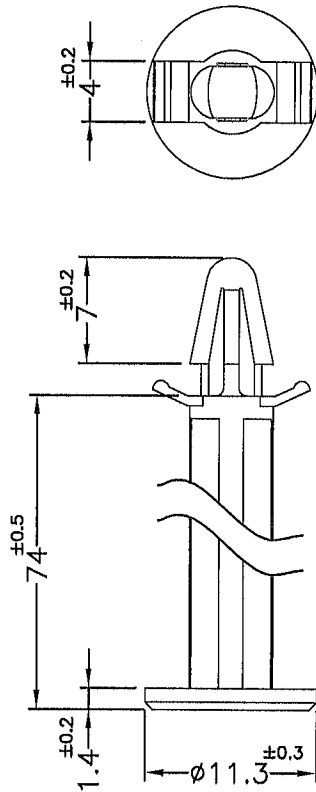

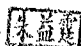



REVISIONS			
REV	DESCRIPTION	DATE	BY

HOLE IN P.C.B $\phi 4.0$
P.C.B THICKNESS 1.6



NOTE: SHRINKING IS NORMAL STATUS.
內縮為正常現象

 <p>康揚企業股份有限公司 KANG YANG HARDWARE ENTERPRISE CO., LTD. 康揚塑膠(東莞)有限公司 KANG YANG PLASTIC(DONG GUAN) CO., LTD. 康哲電腦配件(吳江)有限公司 KANG CHE COMPUTER COMPONENTS(WUJIANG) CO., LTD.</p>				TITLE	SPACER SUPPORT	SPEC. DWG	
				MATERIAL	NYLON 66 UL94V-2	DATE	2015.06.15
				FINISH		DRAWN	LUKE
				COLOR	NATURAL	CHECK	
PART NUMBER	MBS-74	DRAWING NUMBER	MBS-74	UNLESS OTHERWISE SPECIFIED TOLERANCE	SEE ABOVE	APPROVED	
SIZE	A4	SCALE	2:1	UNIT	mm	REV	A