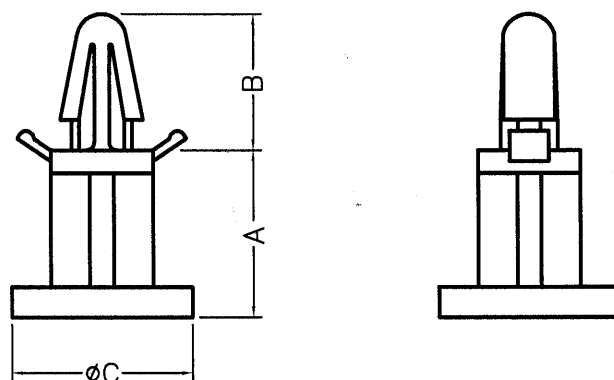


DIM.	TOL
5mm DOWN	±0.2
5~20mm	±0.3
20~40mm	±0.4
40~60mm	±0.5
60~100mm	±0.8
100mm UP	±1.0




REVISIONS			
REV	DESCRIPTION	DATE	BY

HOLE IN P.C.B  $\phi$ 4mm  
P.C.B THICKNESS 1.6mm



PART NO.	A	B	C	COLOR
MBS-6	6.4	9.5	11.8	NATURAL
MBS-6(B)				BLACK
MBS-8	8.0	9.5	11.8	NATURAL
MBS-10	10.0	9.0	12.0	NATURAL
MBS-10(B)				BLACK
MBS-10(W)				WHITE
MBS-11	11.0	9.0	12.0	NATURAL
MBS-11(B)				BLACK
MBS-14	14.0	9.0	12.0	NATURAL

NOTE: MADE OF EQUIVALENT MATERIAL.  
均可使用同等材質。

 <p>康揚企業股份有限公司 KANG YANG HARDWARE ENTERPRISE CO., LTD. 康揚塑膠(東莞)有限公司 KANG YANG PLASTIC(DONG GUAN) CO., LTD. 康哲電腦配件(吳江)有限公司 KANG CHE COMPUTER COMPONENTS(WUJIANG) CO., LTD.</p>				TITLE	SPACER SUPPORT	SPEC. DWG	
				MATERIAL	NYLON 66 UL94V-2	DATE	1998.08.05
				FINISH		DRAWN	S. H. E
				COLOR	SEE ABOVE	CHECK	
PART NUMBER	SEE ABOVE	DRAWING NUMBER	MBS-H	UNLESS OTHERWISE SPECIFIED TOLERANCE	SEE ABOVE	APPROVED	
SIZE	A4	SCALE	NONE	UNIT	mm	REV	D