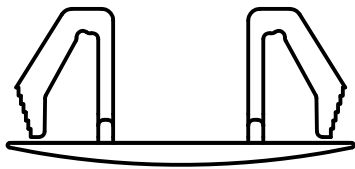
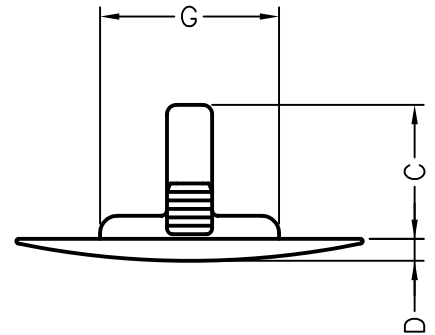


MOUNTING HOLE



CHASSIS THICKNESS E



PART.NO	A	B	C	D	E	G
MBWK-1	$\phi 11 \sim \phi 14$	18.5	10.4	1.7	0.8~3.5	9.8
MBWK-2	$\phi 22 \sim \phi 26$	30	11.6	1.9		15.5