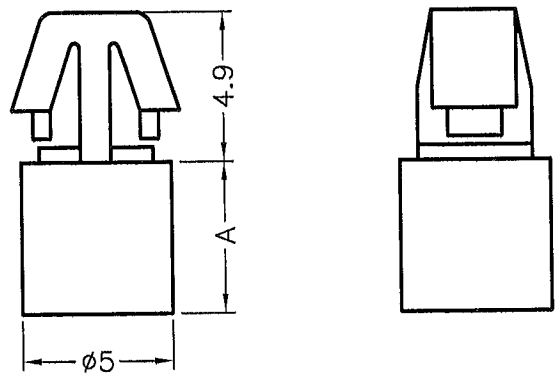


DIM.	TOL
5mm DOWN	±0.2
5~20mm	±0.3
20~40mm	±0.4
40~60mm	±0.5
60~100mm	±0.8
100mm UP	±1.0


REVISIONS			
REV	DESCRIPTION	DATE	BY

HOLE IN P.C.B $\phi 4.0$
P.C.B THICKNESS 1.6mm



PART NO.	A
MC-3	3.0
MC-3.5	3.5
MC-4	4.0
MC-5	5.0

NOTE:MADE OF EQUIVALENT MATERIAL.
均可使用同等材質.

 康揚企業股份有限公司 KANG YANG HARDWARE ENTERPRISE CO., LTD. 康揚塑膠(東莞)有限公司 KANG YANG PLASTIC(DONG GUAN) CO., LTD. 康哲電腦配件(吳江)有限公司 KANG CHE COMPUTER COMPONENTS(WUJIANG) CO., LTD.				TITLE	SPEC. DWG.
				SPACER SUPPORT	
PART NUMBER		DRAWING NUMBER	COLOR	DATE	
SEE ABOVE		MC-H	NATURAL	2001.01.19	
SIZE	SCALE	UNIT	REV	DRAWN	
A4	4:1	mm	B	JASON	
UNLESS OTHERWISE SPECIFIED TOLERANCE			SEE ABOVE	CHECK	
APPROVED				