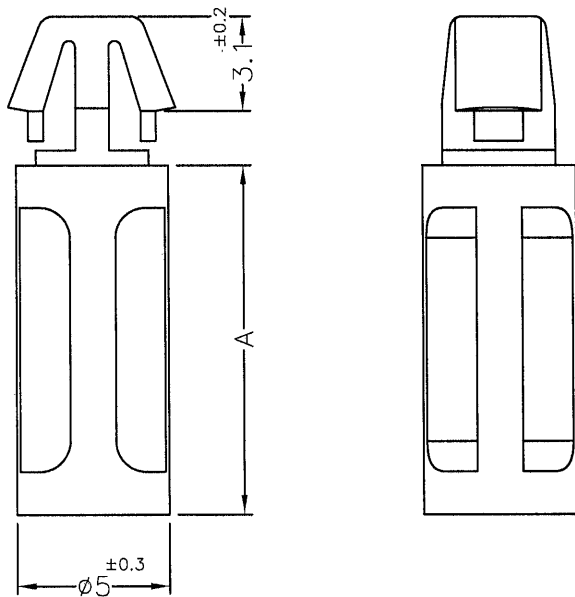


DIM.	TOL
5mm DOWN	±0.2
5~20mm	±0.3
20~40mm	±0.4
40~60mm	±0.5
60~100mm	±0.8
100mm UP	±1.0



REVISIONS			
REV	DESCRIPTION	DATE	BY

HOLE IN P.C.B: $\phi 4.0\text{mm}$
P.C.B THICKNESS: 1.6mm



PART NO.	A
MC-6	6.3
MC-7	7.0
MC-7.5	7.5
MC-8	8.0
MC-8.5	8.5
MC-9	9.0
MC-10	10.0
MC-11.5	11.5
MC-12	12.7
MC-16.4	16.4

NOTE:MADE OF EQUIVALENT MATERIAL.
均可使用同等材質。

 康揚企業股份有限公司 KANG YANG HARDWARE ENTERPRISE CO., LTD. 康揚塑膠(東莞)有限公司 KANG YANG PLASTIC(DONG GUAN)CO.,LTD. ISO 9001 ISO 14001 QC 080000 康哲電腦配件(吳江)有限公司 KANG CHE COMPUTER COMPONENTS(WUJIANG) CO.,LTD.	TITLE		SPEC. DWG.	
	SPACER SUPPORT		DATE	2001.01.19
	MATERIAL		DRAWN	JASON
	NYLON 66 UL94V-2		CHECK	
FINISH		COLOR	APPROVED	
		NATURAL	<i>Kang</i>	
UNLESS OTHERWISE SPECIFIED TOLERANCE				
SEE ABOVE		SEE ABOVE		
PART NUMBER	DRAWING NUMBER			
SEE ABOVE	MC-HH			
SIZE	SCALE	UNIT	REV	
A4	4:1	mm	D	