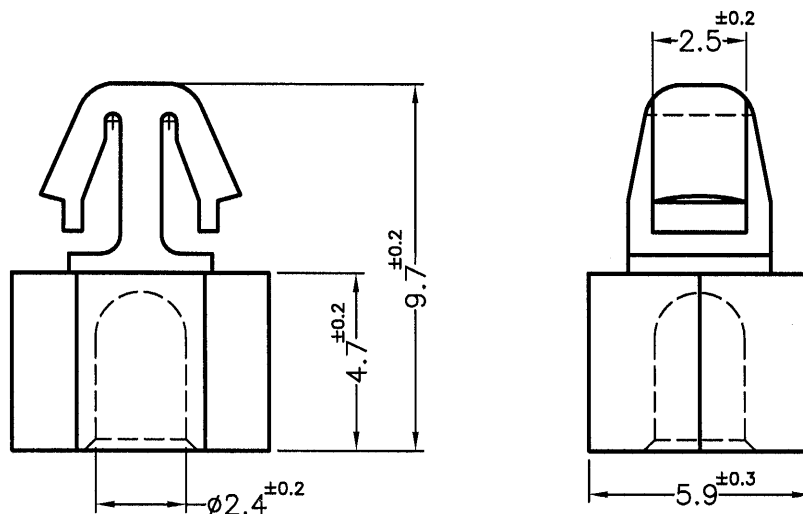





REVISIONS			
REV	DESCRIPTION	DATE	BY



HOLE IN P.C.B $\phi 4$
P.C.B THICKNESS 1.6

PART NO.	MATERIAL	COLOR
MCI-4.7	NYLON 66 UL94V-2	NATURAL
MCI-4.7V0	NYLON 66 UL94V-0	NATURAL(WHITE)

NOTE:MADE OF EQUIVALENT MATERIAL.
可使用同等材質

 <p>康揚企業股份有限公司 KANG YANG HARDWARE ENTERPRISE CO., LTD. 康揚塑膠(東莞)有限公司 KANG YANG PLASTIC(DONG GUAN) CO., LTD. 康哲電腦配件(吳江)有限公司 KANG CHE COMPUTER COMPONENTS(WUJIANG) CO., LTD.</p>				TITLE	SPACER SUPPORT	SPEC. DWG.	
				MATERIAL	SEE ABOVE	DATE	2009.03.12
				FINISH	SEE ABOVE	DRAWN	SAI
				COLOR	SEE ABOVE	CHECK	
PART NUMBER	SEE ABOVE	DRAWING NUMBER	MCI-4.7	UNLESS OTHERWISE SPECIFIED TOLERANCE	SEE ABOVE	APPROVED	
SIZE	A4	SCALE	5:1	UNIT	mm	REV	B