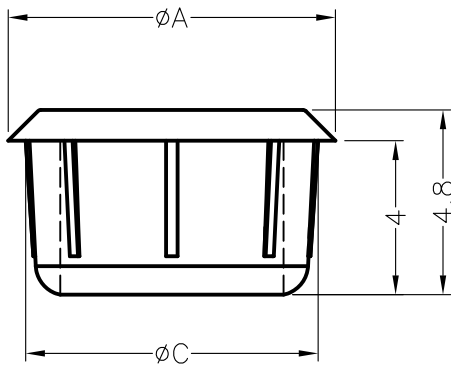


MOUNTING HOLE



PART NO.	A	B	C
MHC-1	8.5	7.5	7.6