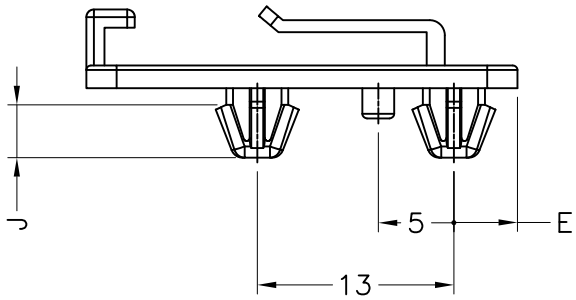


MOUNTING HOLES
THICKNESS: T



NOTE: A, D

PART NO.	A	C	D	E	F	J	T
MIB-2	27	16	10	4.2	2.3	3.5	0.6~0.8
MIB-6	28.5	16	10	4.2	2.4	3.5	0.6~0.8