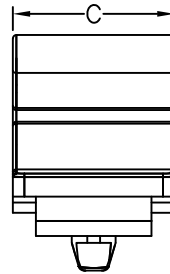
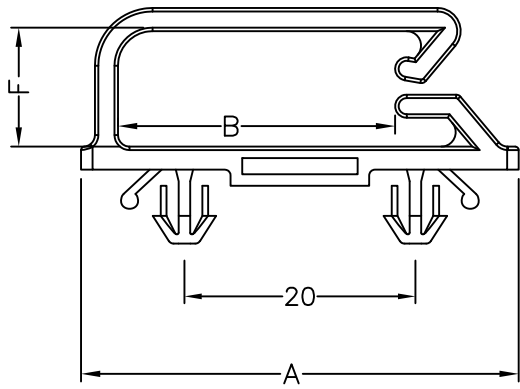


HOLE : ϕG
 THICKNESS: T



PART NO.	A	B	C	F	G	T
MIBA-1	37.9	24	14	18.7	4	0.8~2
MIBA-2				10.0		

NOTE: A, D