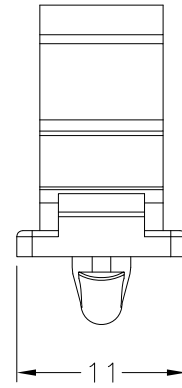
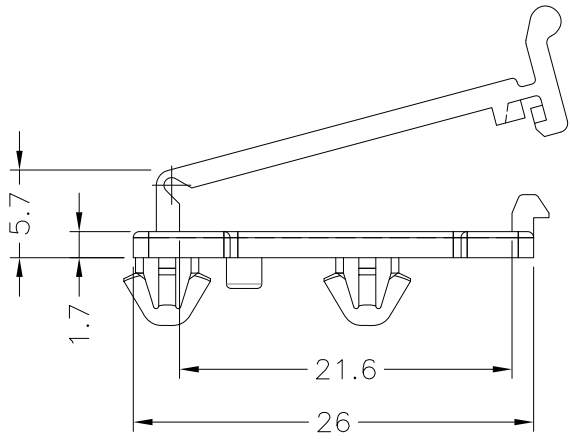


MOUNTING HOLES  
 CHASSIS THICKNESS : 0.5~0.8mm



NOTE:A D N