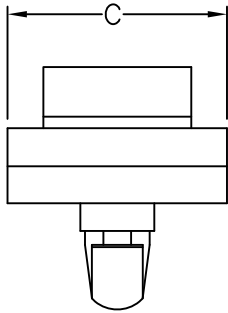
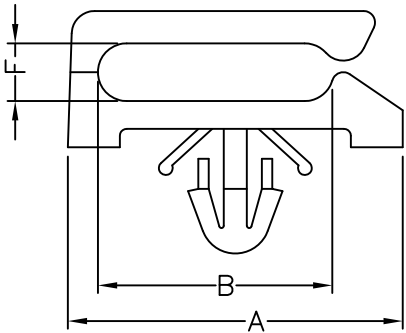


HOLE : ϕG
THICKNESS: T



PART NO.	A	B	C	F	G	T
MIS-2	14.5	10.2	9.5	2.5	3.0	0.6~1.8

NOTE:A, D