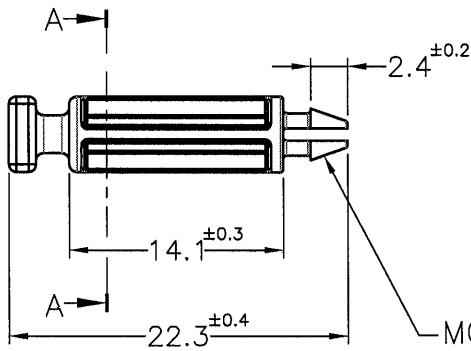
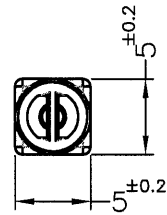


REVISIONS			
REV	DESCRIPTION	DATE	BY





SECTION A-A

MOUNTING HOLE $\phi 3\text{mm}$
CHASSIS THICKNESS 1.6mm

PART NO.	MATERIAL	COLOR
MSA-14.1	NYLON 66 UL94V-2	NATURAL
MSA-14.1V0	NYLON 66 UL94V-0	NATURAL(WHITE)

NOTE:MADE OF EQUIVALENT MATERIAL.
可使用同等材質

 康揚企業股份有限公司 KANG YANG HARDWARE ENTERPRISE CO., LTD. 康揚塑膠(東莞)有限公司 KANG YANG PLASTIC(DONG GUAN) CO., LTD. 康哲電腦配件(吳江)有限公司 KANG CHE COMPUTER COMPONENTS(WUJIANG) CO., LTD.				TITLE	SPACER SUPPORT	SPEC. DWG.	
				MATERIAL	SEE ABOVE	DATE	2012.10.29
PART NUMBER				COLOR	SEE ABOVE	DRAWN	T.C
SEE ABOVE		DRAWING NUMBER		UNLESS OTHERWISE SPECIFIED TOLERANCE	SEE ABOVE	CHECK	
SIZE	A4	SCALE	2:1	UNIT	mm	REV	B
APPROVED						