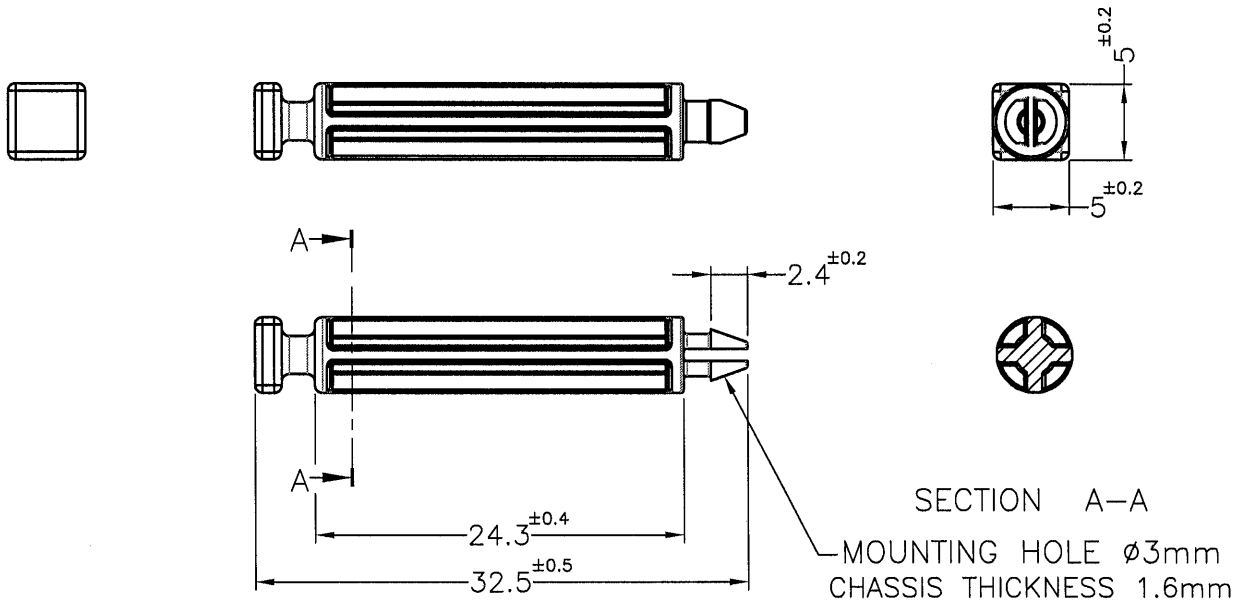


REVISIONS			
REV	DESCRIPTION	DATE	BY



PART NO.	MATERIAL	COLOR
MSA-24.3	NYLON 66 UL94V-2	NATURAL
MSA-24.3V0	NYLON 66 UL94V-0	NATURAL(WHITE)

NOTE:MADE OF EQUIVALENT MATERIAL.  
可使用同等材質

康揚企業股份有限公司 KANG YANG HARDWARE ENTERPRISE CO., LTD. 康揚塑膠(東莞)有限公司 KANG YANG PLASTIC(DONG GUAN) CO., LTD. 康哲電腦配件(吳江)有限公司 KANG CHE COMPUTER COMPONENTS(WUJIANG) CO., LTD.		TITLE	SPEC. DWG.
		SPACER SUPPORT	
PART NUMBER		MATERIAL	DATE
SEE ABOVE		SEE ABOVE	2012.10.25
DRAWING NUMBER		FINISH	DRAWN
MSA-24.3			T.C
SIZE	SCALE	COLOR	CHECK
A4	2:1	SEE ABOVE	
UNIT	REV	UNLESS OTHERWISE SPECIFIED TOLERANCE	APPROVED
mm	B	SEE ABOVE	