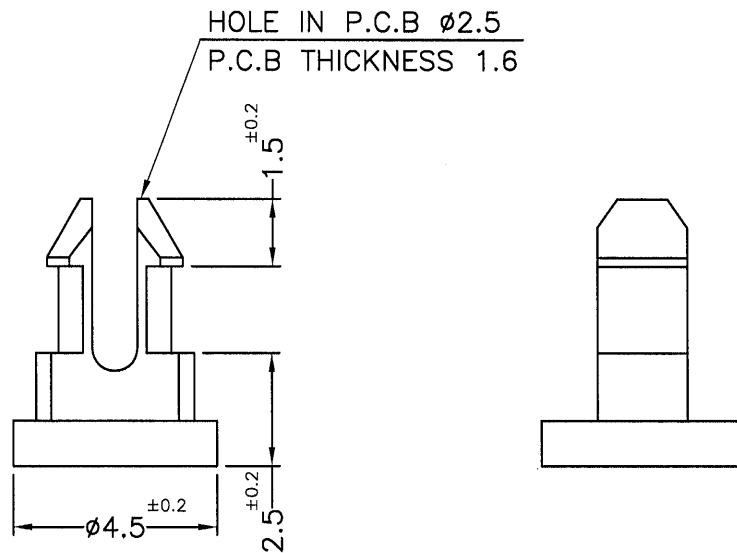



REVISIONS			
REV	DESCRIPTION	DATE	BY



NOTE:MADE OF EQUIVALENT MATERIAL.  
使用同等材質

 <p>康揚企業股份有限公司 KANG YANG HARDWARE ENTERPRISE CO., LTD. 康揚塑膠(東莞)有限公司 KANG YANG PLASTIC(DONG GUAN) CO.,LTD. 康哲電腦配件(吳江)有限公司 KANG CHE COMPUTER COMPONENTS(WUJIANG) CO.,LTD.</p>		TITLE	SPACER SUPPORT	SPEC. DWG.	
		MATERIAL	PBT UL94V-0	DATE	2006.03.21
		FINISH		DRAWN	TRACY
		COLOR	NATURAL	CHECK	薛梅
PART NUMBER	DRAWING NUMBER	UNLESS OTHERWISE SPECIFIED TOLERANCE		APPROVED	
MSM-2.5PBT	MSM-2.5PBT	SEE ABOVE		Kang	
SIZE	SCALE	UNIT	REV		
A4	6:1	mm	A		