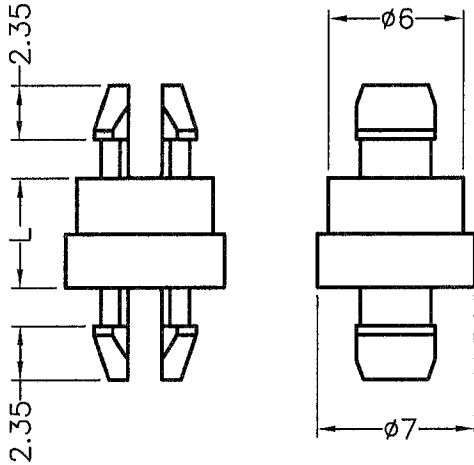


DIM.	TOL
L ≤ 10	±0.2
10 < L ≤ 30	±0.3
30 < L ≤ 50	±0.5
50 < L ≤ 100	±0.7
100 < L ≤ 250	±1.2
ABOVE 250	±1.5

REVISIONS			
REV	DESCRIPTION	DATE	BY

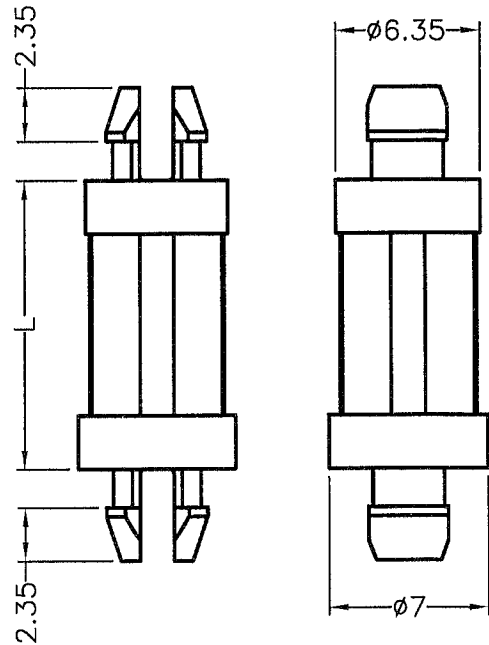
HOLE IN P.C.B: $\phi 4\text{mm}$
P.C.B THICKNESS: 1.6mm



HOLE IN P.C.B: $\phi 4\text{mm}$
P.C.B THICKNESS: 1.6mm

PART NO.	L
MSP1-4.8	4.8

HOLE IN P.C.B: $\phi 4\text{mm}$
P.C.B THICKNESS: 1.6mm



HOLE IN P.C.B: $\phi 4\text{mm}$
P.C.B THICKNESS: 1.6mm

PART NO.	L
MSP1-6.4	6.4
MSP1-9.5	9.5
MSP1-10	10.0
MSP1-12.7	12.7
MSP1-15.9	15.9
MSP1-19.1	19.1
MSP1-22.2	22.2
MSP1-25.4	25.4

NOTE: All measurement does not include gate which raises under 0.3mm.

				TITLE SPACER SUPPORT		SPEC. DWG	
				MATERIAL NYLON 66 UL94V-2		DATE 2014.06.25	
				FINISH		DRAWN LUKE	
				COLOR NATURAL		CHECK 	
PART NUMBER SEE ABOVE		DRAWING NUMBER MSP1-H		UNLESS OTHERWISE SPECIFIED TOLERANCE SEE ABOVE		APPROVED 	
SIZE A4	SCALE 3:1	UNIT mm	REV A				