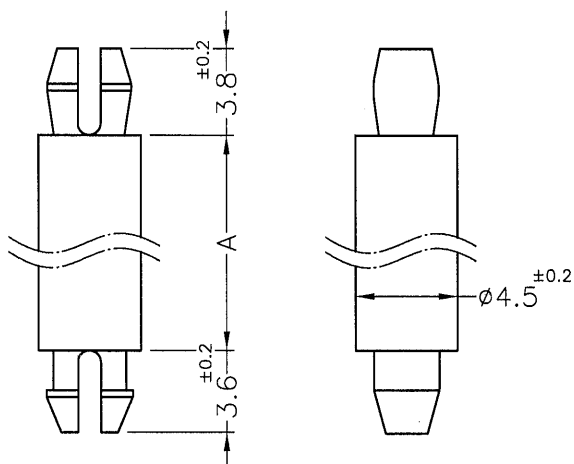


TOL.	DIM.
5mm DOWN	±0.2
5~20mm	±0.3
20~40mm	±0.4
40~60mm	±0.5
60~100mm	±0.8
100mm UP	±1.0

REVISIONS			
REV	DESCRIPTION	DATE	BY

HOLE IN PCB: $\phi 3.2\text{mm}$
PCB THICKNESS: 1.6mm




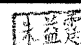
HOLE IN PCB: $\phi 3.2\text{mm}$
PCB THICKNESS: 1.6mm

PART NO.	A
MSP3-3	3.2
MSP3-4	4.0
MSP3-5	4.8
MSP3-5.8	5.8
MSP3-6	6.4
MSP3-8	7.9
MSP3-8.5	8.5
MSP3-9.5	9.5

PART NO.	A
MSP3-10	10.0
MSP3-11	11.1
MSP3-12S	12.0
MSP3-12	12.7
MSP3-14	14.3
MSP3-15.9	15.9
MSP3-17	17.5
MSP3-19	19.1
MSP3-20	20.6

PART NO.	A
MSP3-21	21.0
MSP3-22	22.2
MSP3-25	25.4
MSP3-27	27.0
MSP3-28	28.5
MSP3-29.2	29.2
MSP3-31.7	31.7
MSP3-34	34.9
MSP3-38	38.1

NOTE:MADE OF EQUIVALENT MATERIAL.
均可使用同等材質.

 <p>康揚企業股份有限公司 KANG YANG HARDWARE ENTERPRISE CO., LTD. 康揚塑膠(東莞)有限公司 KANG YANG PLASTIC(DONG GUAN) CO.,LTD. ISO 9001 ISO 14001 QC 080000 康哲電腦配件(吳江)有限公司 KANG CHE COMPUTER COMPONENTS(WUJIANG) CO.,LTD.</p>	TITLE SPACER SUPPORT		SPEC. DWG.		
	MATERIAL NYLON 66 UL94V-2		DATE 2005.11.22		
	FINISH		DRAWN Pyman		
	COLOR NATURAL		CHECK 		
PART NUMBER SEE ABOVE		DRAWING NUMBER MSP3-HH		UNLESS OTHERWISE SPECIFIED TOLERANCE SEE ABOVE	
SIZE A4	SCALE NONE	UNIT mm	REV E	APPROVED Kang	