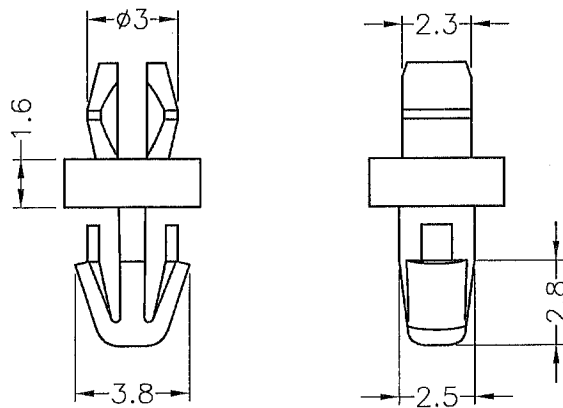


DIM.	TOL
L≤10	±0.2
10<L≤30	±0.3
30<L≤50	±0.5
50<L≤100	±0.7
100<L≤250	±1.2
ABOVE 250	±1.5


REVISIONS			
REV	DESCRIPTION	DATE	BY

HOLE IN P.C.B Ø2.6
P.C.B THICKNESS 1.0



HOLE IN P.C.B Ø2.8
P.C.B THICKNESS 1.6

NOTE: All measurement does not include gate which raises under 0.3mm.

 <p>康揚企業股份有限公司 KANG YANG HARDWARE ENTERPRISE CO., LTD. 康揚塑膠(東莞)有限公司 KANG YANG PLASTIC(DONG GUAN) CO., LTD. ISO 9001 ISO 14001 QC 080000 康哲電腦配件(吳江)有限公司 KANG CHE COMPUTER COMPONENTS(WUJIANG) CO., LTD.</p>				TITLE	SPACER SUPPORT	SPEC. DWG.	
				MATERIAL	NYLON 66 UL94V-2	DATE	2011.06.14
				FINISH		DRAWN	SAI
PART NUMBER		DRAWING NUMBER		COLOR	CHECK		
MSPA-1.6		MSPA-1.6		NATURAL			
SIZE	SCALE	UNIT	REV	UNLESS OTHERWISE SPECIFIED TOLERANCE	APPROVED		
A4	4:1	mm	A	SEE ABOVE	