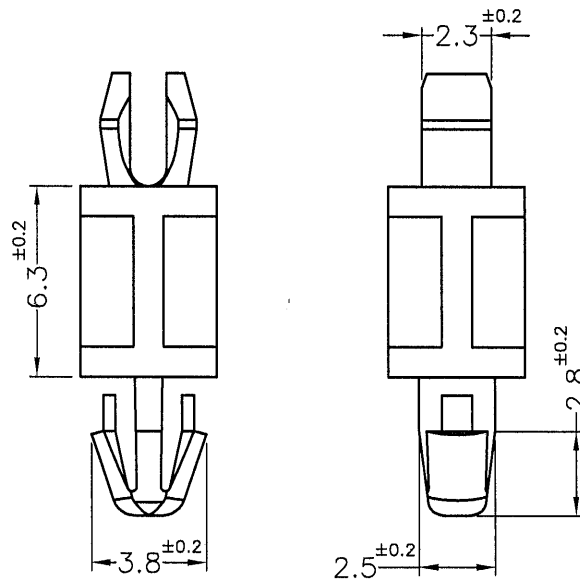


REVISIONS			
REV	DESCRIPTION	DATE	BY

HOLE IN P.C.B  $\phi 2.8$   
P.C.B THICKNESS 1.6



HOLE IN P.C.B  $\phi 2.8$   
P.C.B THICKNESS 1.6

NOTE: MADE OF EQUIVALENT MATERIAL.  
均可使用同等材質.



康揚企業股份有限公司  
KANG YANG HARDWARE ENTERPRISE CO., LTD.  
康揚塑膠(東莞)有限公司  
KANG YANG PLASTIC(DONG GUAN) CO., LTD.  
康哲電腦配件(吳江)有限公司  
KANG CHE COMPUTER COMPONENTS(WUJIANG) CO., LTD.

TITLE		SPEC. DWG.	
SPACER SUPPORT		DATE	
MATERIAL		2017.05.12	
NYLON 66 UL94V-2		DRAWN	
FINISH		Mamie	
COLOR		CHECK	
NATURAL		林祺翔	
UNLESS OTHERWISE SPECIFIED TOLERANCE		APPROVED	
SEE ABOVE		Kang	

PART NUMBER		DRAWING NUMBER	
MSPA-6.3L		MSPA-6.3L	
SIZE	SCALE	UNIT	REV
A4	4:1	mm	A