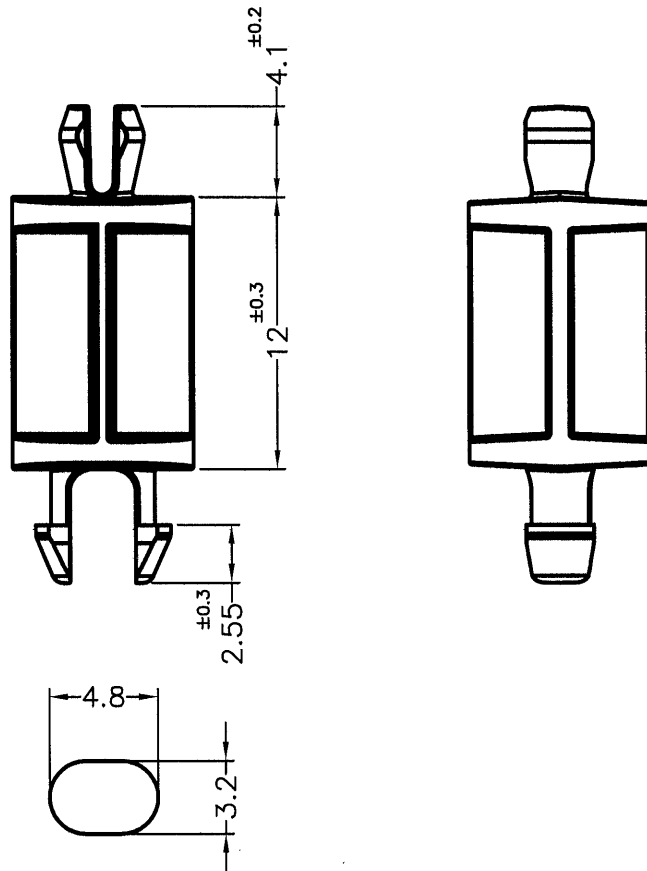



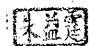
REVISIONS			
REV	DESCRIPTION	DATE	BY

HOLE IN P.C.B  $\phi 3.3$   
P.C.B THICKNESS 1.6mm



MOUNTING HOLE  
THICKNESS 2.16mm

NOTE:MADE OF EQUIVALENT MATERIAL.  
可使用同等材質.

 <p>康揚企業股份有限公司 KANG YANG HARDWARE ENTERPRISE CO., LTD. 康揚塑膠(東莞)有限公司 KANG YANG PLASTIC(DONG GUAN) CO., LTD. 康哲電腦配件(吳江)有限公司 KANG CHE COMPUTER COMPONENTS(WUJIANG) CO., LTD.</p>				TITLE	SPACER SUPPORT	SPEC. DWG.	
				MATERIAL	NYLON 66 UL94V-2	DATE	2016.05.13
				HARDNESS		DRAWN	ROBERT
PART NUMBER	MSPD-12	DRAWING NUMBER	MSPD-12	COLOR	NATURAL	CHECK	
SIZE	A4	SCALE	3:1	UNIT	mm	REV	A
UNLESS OTHERWISE SPECIFIED TOLERANCE				SEE ABOVE	APPROVED	